

monitor LIFTS



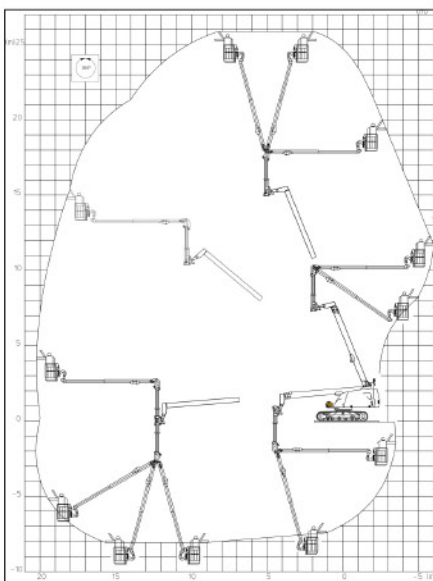
Giraf's under-bridge attachment provides the most incredible flexibility.



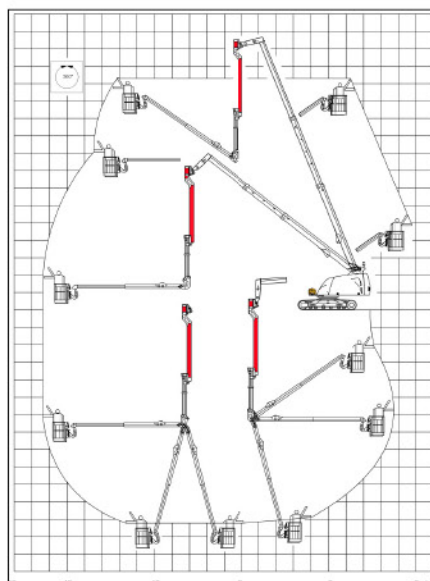
Horizontal outreach increases to a massive 26 metres with 2 persons and tools.



The Giraf under-bridge unit can reach up and over tall obstacles.



Attachment A1873 provides both negative and positive positions.



The A1873 Ext. is designed to reach further into negative positions



Working height is increased to a huge 26m

GIRAF TRACK GT580

All terrain crawler EWP

SPECIFICATIONS

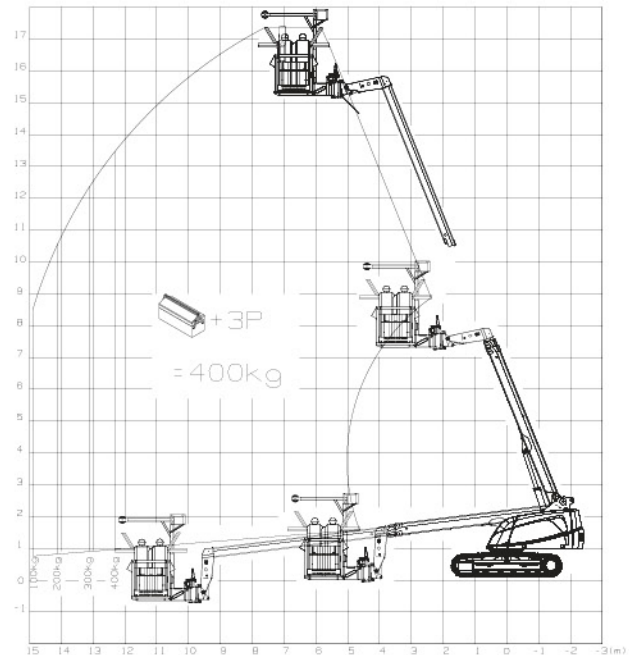
PERFORMANCES		TECHNICAL SPECIFICATIONS	
Telehandler			
Max lifting height on forks*	15.0m	Overall	
Max forward reach on forks*	13.6m	Engine	Cat 4.4 Turbo Diesel
Max lifting capacity on forks*	4300kg		Tierilla 74.5kW @ 2200rpm
Max capacity at max height	1500kg	Electrical system	12V 65Ah alternator
Max capacity at max reach	600kg		160Ah battery
*1200mm long forks with load at 500mm		Controls	Standard fully proportional radio control system with feedback system
Aerial Work Platform			
Max working height*	19.8m	Transmission	Hydrostatic vari-flow with 2 speeds 1.2kph - 2.4kph
Max forward reach**	16.3m	Drive	Cat tracked chassis with 500mm wide plates
Max useful load***	1000kg	Turret	Continuous 360° rotation
* Jib basket		Boom	3 elements fully proportional extension on element 2&3 Automatic hydraulic carriage compensation +/- 1°
**5.5m extendable basket			
***Fixed 3.6m 'HD' platform			
Compact Crane			
Max working height*	18m	Safety	Processor controlled continuous safety system on boom overload and tilting protection with auto blocking of movements provoking instability.
Max forward reach*	16.8m	Standard	2 hydraulic connectors at boom tip
Max lifting capacity**	4000kg		
*4m jib			
**4t winch			
OPTIONS: Drivers Cab(Rops/Fops) with/without joystick - Rubber pads for paved roads - Synthetic traceless pads with reduction friction - V-blade compensating slopes up to 13° - Electrical integrated generator 5kVa - Pneumatic integrated compressor - Carriage with pick-up for major brand telehandler (Merlo/Manitou/Caterpillar/...) - Special projects.			

Complies with AS1418.10

(E & OE.)



Load Chart 400kg Aerial Work Platform



(Note: there are a number of different baskets available. Pictured left and above is a 400kg SWL unit which extends from 3.5m out to 5.5m in length.)

