



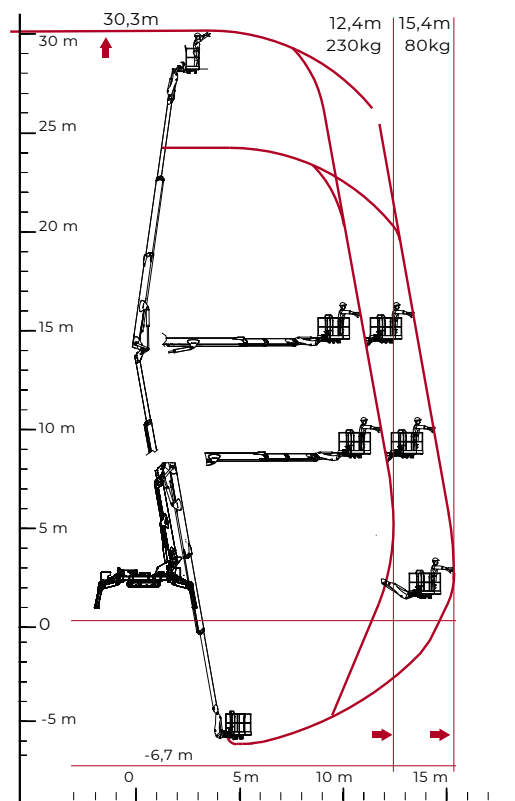
TECHNICAL SHEET

PERFORMANCE AND DIMENSIONS

Main features

A bundle of power and technology capable of performing in any application. It has three stabilisation areas, two working areas and climbing outriggers for working on all types of terrain and reaching even the most difficult spots with its maximum working height of 30,3m, lateral outreach of 15,4m and the ability to work in negative down to -6.7m.

Max. working height	30,3 m
Possibility of working in negative	-6,7 m
Max. outreach with 80 kg	15,4 m
Platform height	28,3 m
Max. load in basket	230 kg
Basket dimensions	1,7 x 0,7 x 1,1 m
Basket rotation	+/-90°
Turret rotation	+/- 200°(400° continuous)
Total weight	4285 Kg



Via Bitritto, 119 - 70124 BARI - ITALY
Tel. +39 080 532 66 06 - Fax +39 080 536 85 41
www.cmclift.com - info@cmclift.com



