

monitor

the world's
best equipment
supported
locally

Sales | Service | Parts | Hire | Finance

Monitor 2100E Trailer Mounted Lift

1800 025 024
monitor.net.au

@MonitorAUS



V1.0 - 240806



MONITOR 2100E

The robust and powerful Monitor 2100E, designed by OMME® provides a strong and stable operating platform, and is a versatile Trailer Mount Lift.

It gives increased outreach over obstacles. Comes with easy and intuitive controls, while the hydraulic outrigger legs on this machine provide it with the ability to set up on uneven terrain.

With its short travel length, it is ideal for manoeuvrability and weighing only 2.7T can be towed behind most vehicles.

The Monitor 2100E's high quality strong steel boom sections provide a sturdy stable work platform at full height.

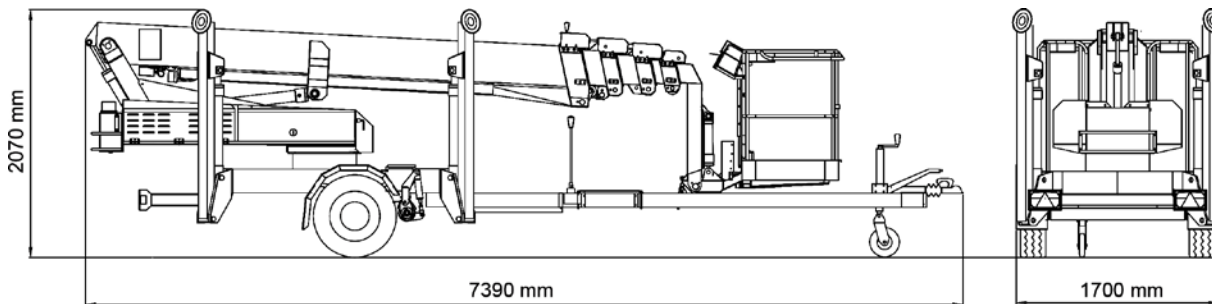
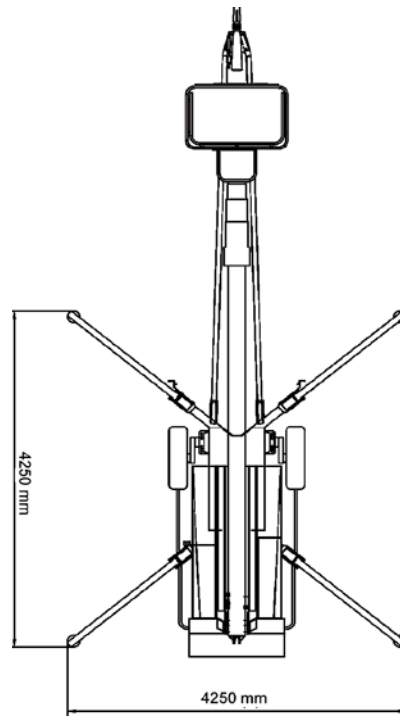
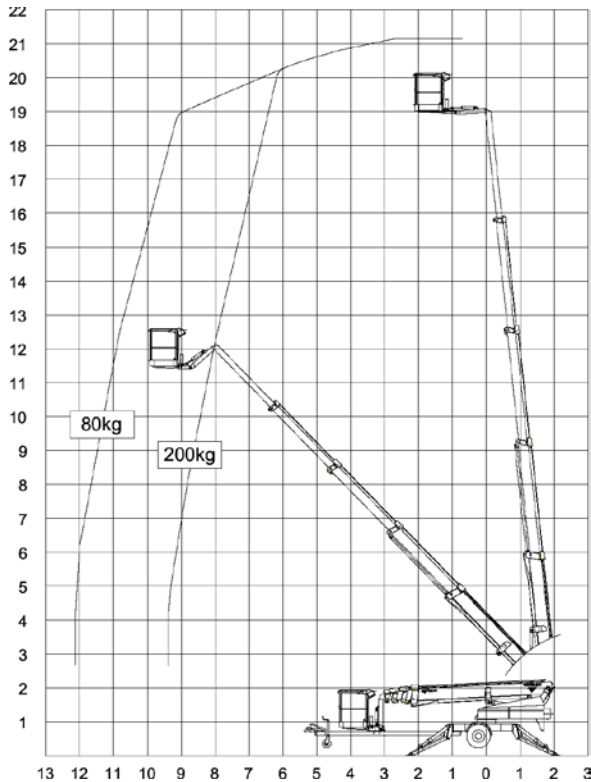
With its hydraulic self-propulsion, it allows access to difficult locations with added efficiency and simplicity.

Its stick boom configuration makes it possible to operate in tough environments and provides the operator with excellent outreach.





Technical Specifications



Max working height	21.15 m
Max horizontal outreach	12.2 m
Max rated capacity	200 kg
Weight	
: Tare Weight	2670 kg (2700 kg Hybrid)
: GTM	2700 kg
: ATM	2700 kg
Turret rotation	± 400°
Basket rotation	± 41°
Basket size	1.25 x 0.8 x 1.1 m
Max stabiliser force	13.6 kN
Max stabiliser pressure (std foot pad)	160 kN/m ² *
Gradeability sideways	8°
Standard engine	Honda
Dual power options	Batteries
Brakes	Overrun
Self-propulsion with hydraulic engagement of traction rollers	Std

(All specs E&OE and subject to change)

*90 kN/m² with 400 x 400mm stabiliser pads





zero
downtime
guarantee*



Our Locations

Branches & Service Centres



Tamworth

143 Gunnedah Rd
Tamworth NSW 2340



Sydney

49-50 Cassola Pl
Penrith NSW 2740



Melbourne

24-28 William Rd
Dandenong South VIC 3175



Brisbane

191 Magnesium Dr
Crestmead QLD 4132



Brisbane - Caboolture

2 Alta Drive
Caboolture QLD 4510



Perth

11 Reihill Rd
Maddington WA 6109



agent@monitor.net.au

1800 025 024
monitor.net.au

@MonitorAUS



monitor

the world's best equipment supported locally

Monitor 2100E Trailer Mounted Lift

7