

monitor

the world's
best equipment
supported
locally

Sales | Service | Parts | Hire | Finance

Monitor 2714 Spider Lift

1800 025 024
monitor.net.au

@MonitorAUS



V1.0 - 240718



MONITOR 2714



The Monitor 2714 Spider Lift never ceases to impress with its huge up-and-over outreach. At only 1.99 m stowed height, this Spider Lift delivers the most reach from the smallest dimensions.

An unbeatable machine for confined area access to taller heights.

The tracks expand to 1290 mm for stability off-road, and retract to only 890 mm which allows the 2714 to go anywhere.

Uniquely these Spider Lifts can rotate a full 360 degrees even when legs are set in the narrow position, and up to 15 m of horizontal outreach can be achieved in wide set.

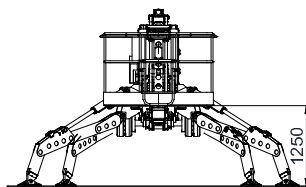
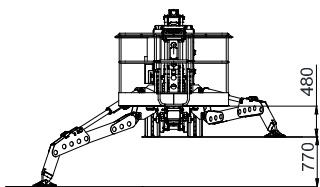
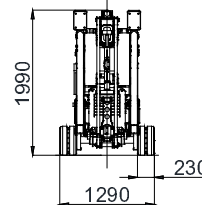
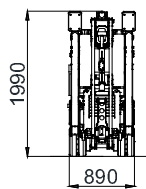
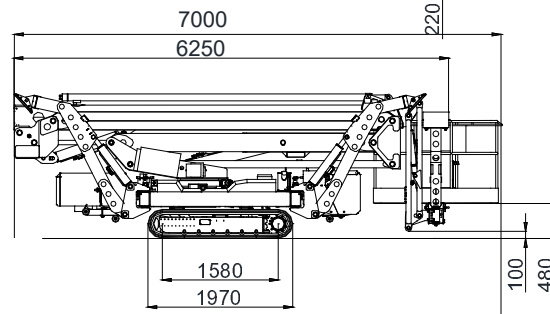
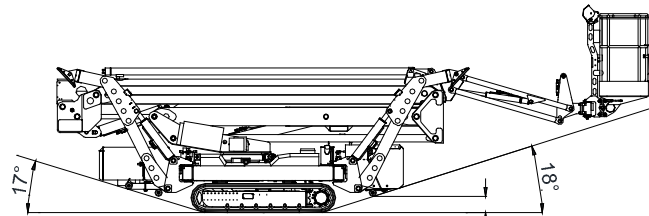
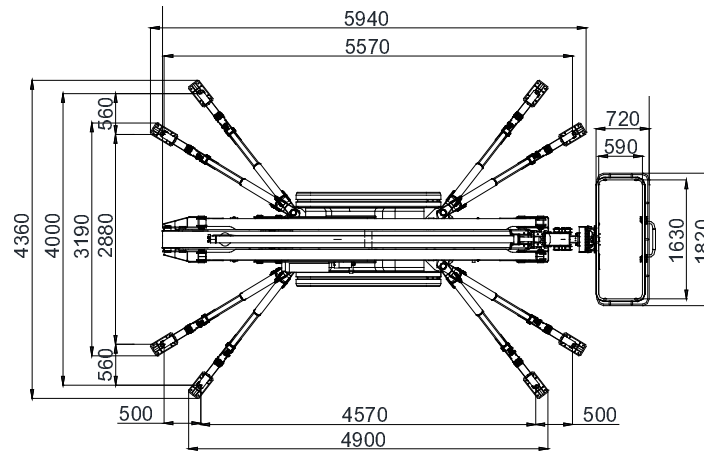
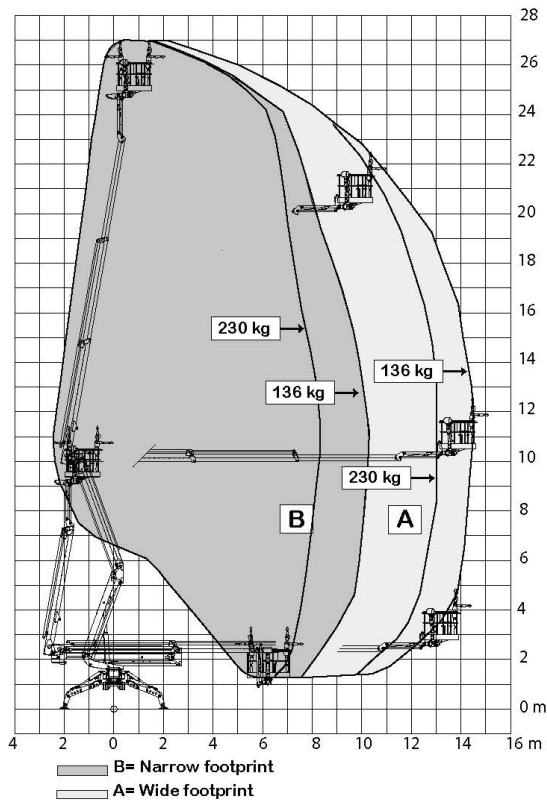
Strength and rigidity are a standout feature of this machine; the first time you take this one up off the ground you come back wearing a very wide smile. It has to be experienced to believe how stable this platform is, making it ideal for the most demanding of applications.

27M
WORKING HEIGHT

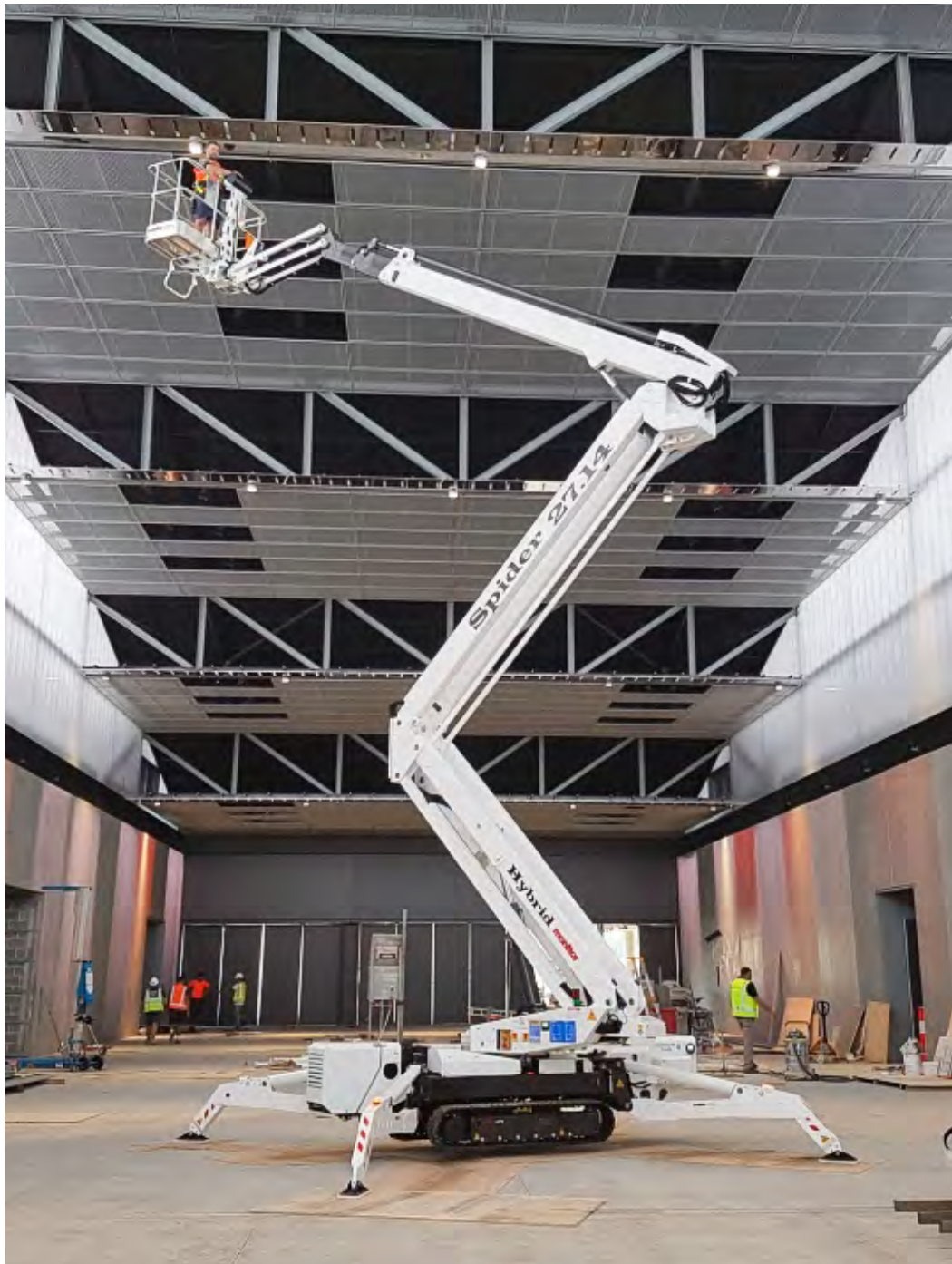




Technical Specifications



Max working height	27.00 m
Max working height in narrow set	27.00 m
Max horizontal outreach	15.10 m
Max rated capacity	230 kg
Weight: Engine + 240V	ED 5200 kg
: Engine + Lithium Batteries	LBD 5340 kg
Turret rotation	360°
Basket rotation	172°
Ground pressure driving (approx)	70.15 kN/m ²
Max stabiliser force	34.4 kN
Max stabiliser pressure (std foot pad)	673 kN/m ²
Traffic load (live load) travelling	5.42 kN/m ²
Traffic load (live load) stabilised wide	2.84 kN/m ²
Traffic load (live load) stabilised narrow	2.90 kN/m ²
Auto levelling	Std
Max slope for stabilisers (no extra pads)	13°
Gradeability lengthwise	17°
Gradeability sideways	12°
Standard engine	Kubota 22 Hp Diesel
Dual power options	240V or Batteries or Lithium
Expanding tracks	Std
Max drive speed	1.8 km/h
Radio control	Std
Electric emergency lowering	Std
Hydraulic winch	Optional
(All specs E&OE and subject to change)	





zero
downtime
guarantee*



Our Locations

Branches & Service Centres



Tamworth

143 Gunnedah Rd
Tamworth NSW 2340



Sydney

49-50 Cassola Pl
Penrith NSW 2740



Melbourne

24-28 William Rd
Dandenong South VIC 3175



Brisbane

191 Magnesium Dr
Crestmead QLD 4132



Brisbane - Caboolture

2 Alta Drive
Caboolture QLD 4510



Perth

11 Reihill Rd
Maddington WA 6109



agent@monitor.net.au

1800 025 024
monitor.net.au

@MonitorAUS

