

monitor

the world's
best equipment
supported
locally

Sales | Service | Parts | Hire | Finance

CMC S13F Spider Lift

1800 025 024
monitor.net.au

@MonitorAUS



V1.0 - 240718



CMC S13F



Compact, lightweight and multi-functional. S13F is the perfect solution for working in the most difficult conditions and in tight spaces, difficult to access.

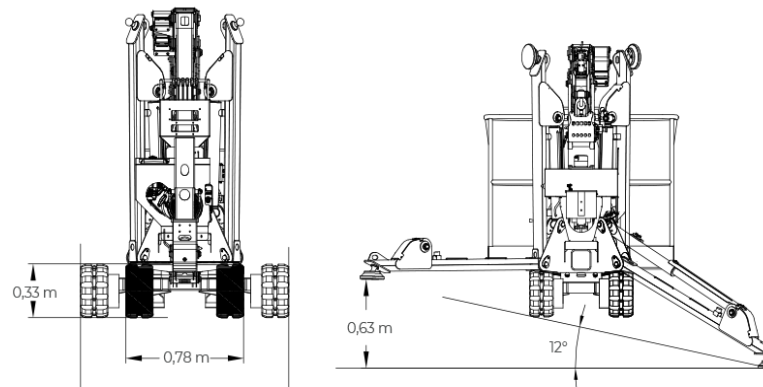
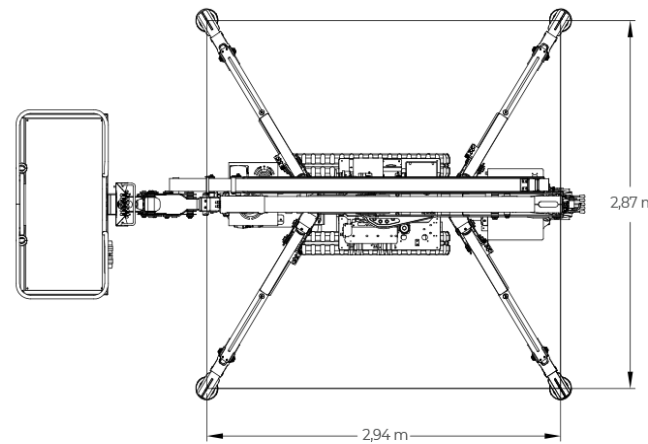
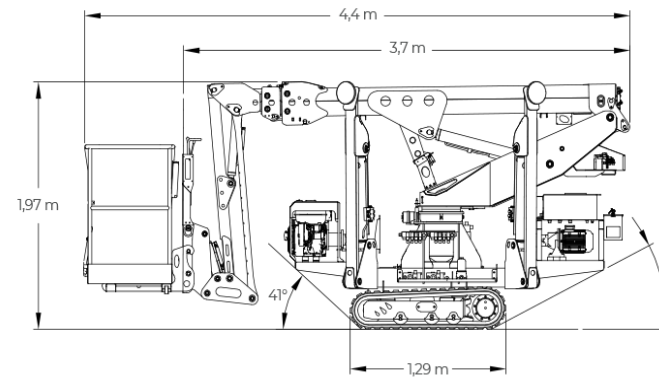
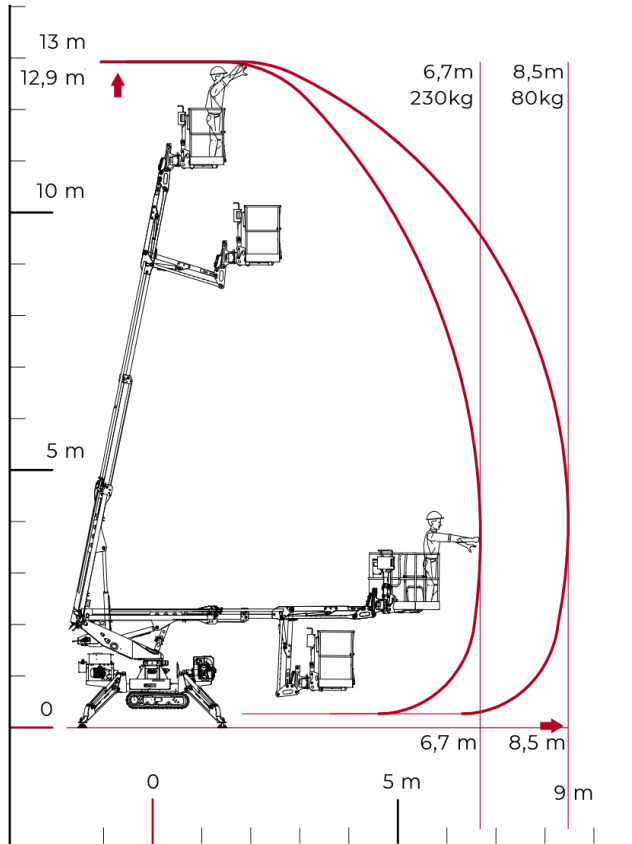
Full hydraulic with two working areas and two telescopic boom extensions, plus an articulating jib (90°). It's easy to use, intuitive and fast platform. Thanks to its small size, it passes through a standard door and enters elevators.



12.9M
WORKING HEIGHT



Technical Specifications



Max working height	12.9 m
Max platform height	10.9 m
Max horizontal outreach (with 80 kg)	8.5 m
Max rated capacity	230 kg
Weight	1565 kg
Basket dimensions	1.4 x 0.7 x 1.1 m
Basket rotation	±90° (options)
Turret rotation	±178° (365° non-continuous)

(All specs E&OE and subject to change)





zero
downtime
guarantee*



Our Locations

Branches & Service Centres



Tamworth

143 Gunnedah Rd
Tamworth NSW 2340



Sydney

49-50 Cassola Pl
Penrith NSW 2740



Melbourne

24-28 William Rd
Dandenong South VIC 3175



Brisbane

191 Magnesium Dr
Crestmead QLD 4132



Brisbane - Caboolture

2 Alta Drive
Caboolture QLD 4510



Perth

11 Reihill Rd
Maddington WA 6109



agent@monitor.net.au

1800 025 024
monitor.net.au

@MonitorAUS



monitor

the world's best equipment supported locally

CMC S13F Spider Lift