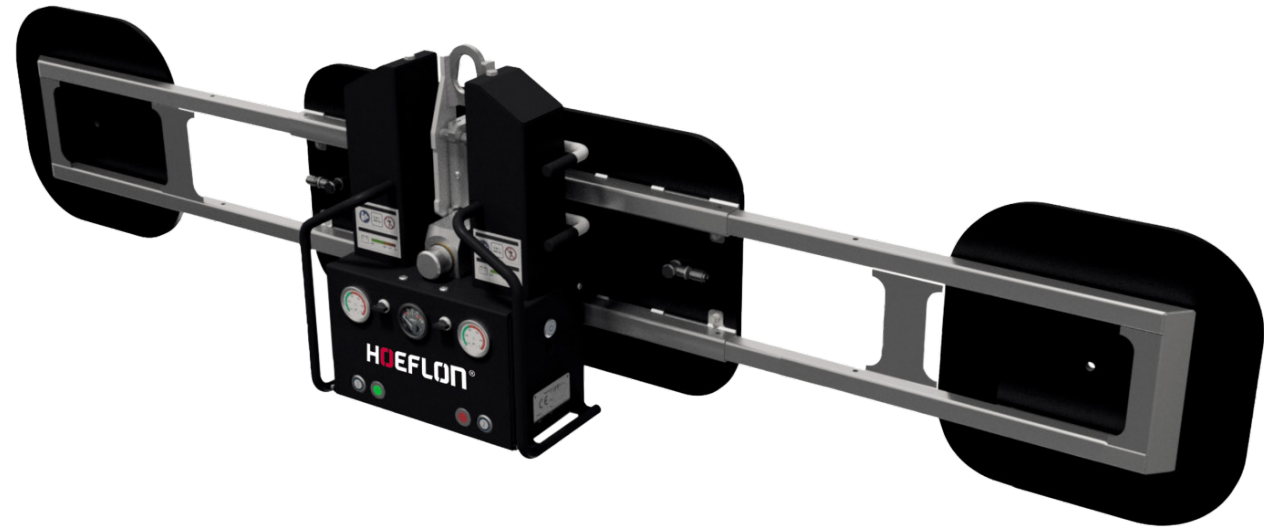


monitor LiFTS

BRISBANE MELBOURNE PERTH SYDNEY TAMWORTH

monitor.net.au • 1800 025 024



HOEFLON® CX5-L VACUUM LIFTER



CX5-L

Specifications

The vacuum lifter for glass up to 500 kg. Standard equipped with a double circuit. The various configurations make this machine our all-rounder, suitable for small and large projects.

Unique features

- Lightweight 40 kg base unit with 250 kg SWL
- Expandable up to 2200 mm and 500 kg SWL
- Compact base dimensions of 800 x 400 mm
- Full double circuit for highest possible safety
- Machine weight: 50 kg

Delivered standard with:

- Remote control
- Transport trolley
- Swappable battery system incl. spare battery
- Protective cover

Accessories



Battery charger



Remote control

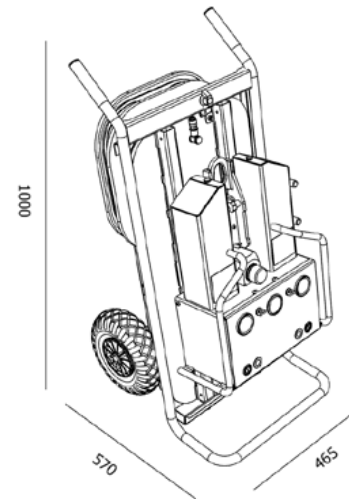
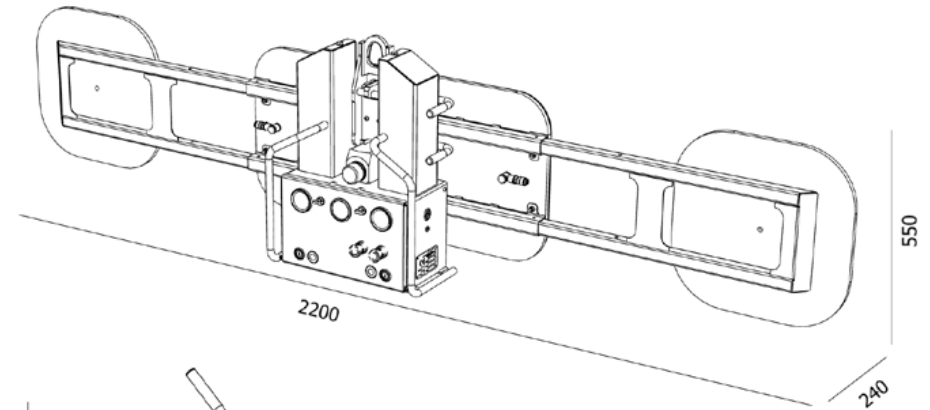


Hoisting arm extension

Specifications

- Manual tilting with three locking positions and continuous adjustment
- Manual rotation with four locking positions
- Radio remote control for suction and release
- Interchangeable lifting point for lower overall height
- Transport trolley with pneumatic tyres

Dimensions



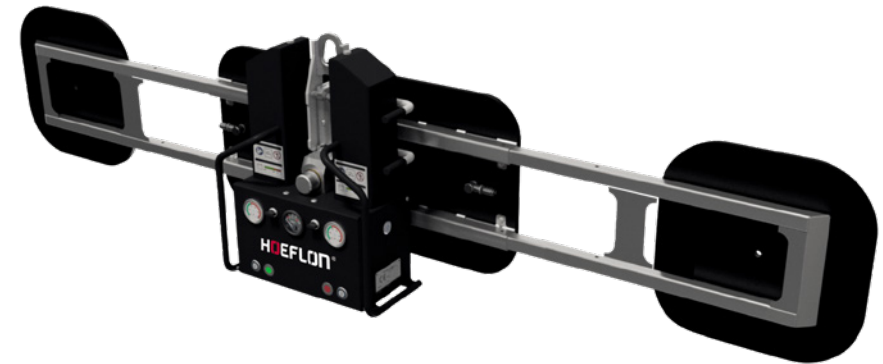
CX5-L

Specifications



Your Hoeflon contact person

Hoeflon machines are functional and offer optimal power and reliability. We offer many possibilities and help you come up with solutions.



Monitor Lifts Training & Support



Operator Training



Service Training



24/7 Support



Service Trailer



UTE/Trucks



Service Training

Get In Touch

- monitor.net.au
- agent@monitor.net.au
- 1800 025 024 (free call)

Our Locations

- TAMWORTH**
143 Gunnedah Road, Tamworth NSW 2340
- SYDNEY**
49-50 Cassola Pl, Penrith NSW 2740
- MELBOURNE**
24-28 Williams Rd, Dandenong South VIC 3175
- BRISBANE**
191 Magnesium Dr, Crestmead QLD 4132
- CABOOLTURE**
2/2 Alta Drive, Caboolture QLD 4510
- PERTH**
11 Reihill Rd, Maddington WA 6109
- NEW ZEALAND**
Youngman Richardson & Co. Ltd.
Branches: Auckland, Wellington, Christchurch