

monitor LiFTS

SYDNEY MELBOURNE BRISBANE TAMWORTH

monitor.net.au • 1800 025 024



MONITOR 125 SPIDER LIFT



MONITOR 125

The Monitor 125 is the original Spider Lift that has been on the Australian market for over 25 years.

Full time four wheel drive makes driving easy even in difficult conditions and on uneven terrain, while still providing a machine light enough to tow behind almost any vehicle.

With the 125 you can also work indoors and in similar tight situations – these features make the Leguan more versatile than most other lifts.

The Monitor 125 combines the advantages of articulating and telescopic boom design, providing excellent up-and-over capabilities.

All functions, including drive, outrigger set up and boom movements can be operated from the platform, allowing the operator to remain harnessed, even while transitioning the machine.

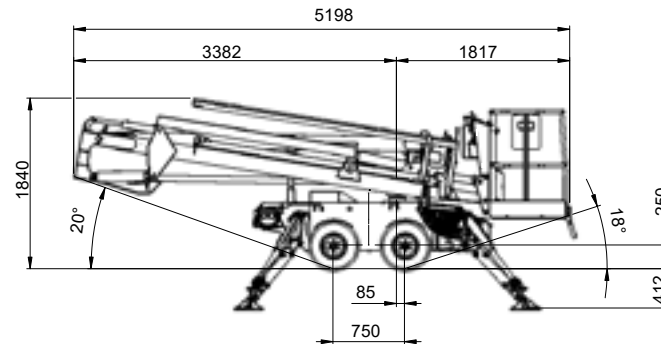
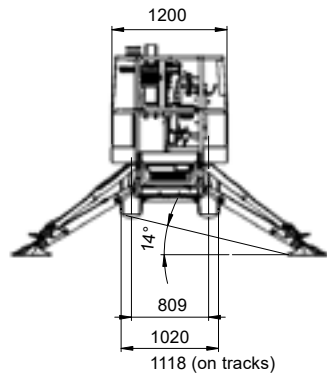
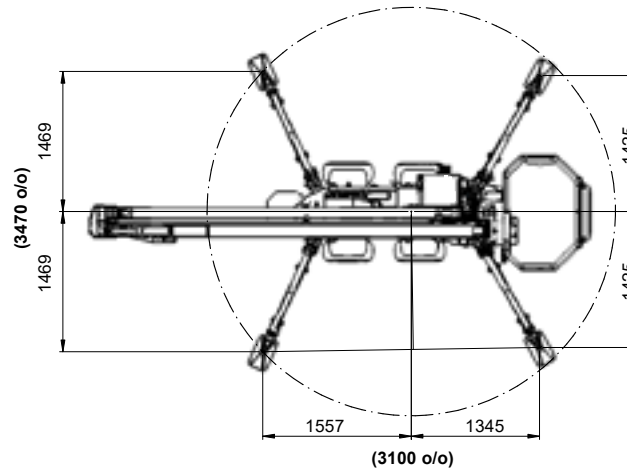
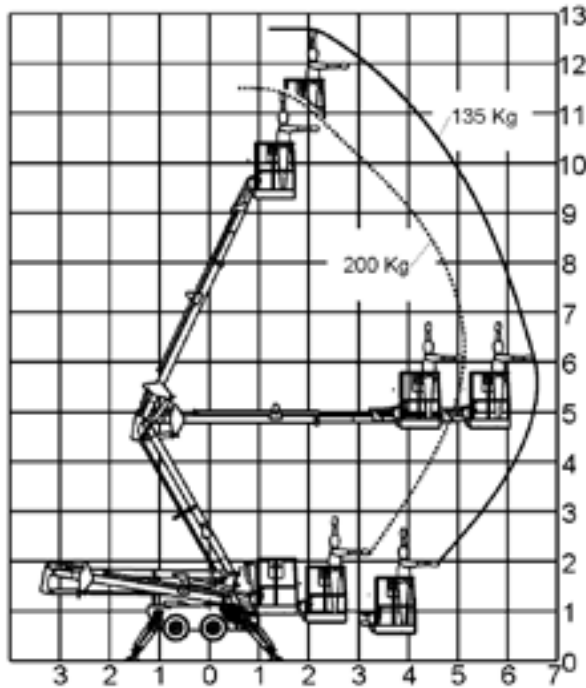


Proven in many industries and tough environments throughout Australia and New Zealand, no other machine on the market has a proven track record like the Leguan.





TECHNICAL SPECIFICATIONS



Max working height	12.50 m
Max horizontal outreach	6.30 m
Max rated capacity	200 kg
Weight	23" tyres 1568 kg (tracks 1672 kg)
Turret rotation	360°
Basket rotation	N/A
Ground pressure driving (approx)	tyres 306kN/m2 (tracks 53 kN/m2)
Max stabiliser force	9 kN
Max stabiliser pressure (std foot pad)	153 kN/m2
Traffic load (live load) travelling	tyres 3.2 kN/m2 (tracks 3.3 kN/m2)
Traffic load (live load) stabilised	tyres 2 kN/m2 (tracks 2.2kN/m2)
Auto levelling	N/A
Max slope for stabilisers (no extra pads)	14°
Gradeability lengthwise	20°
Gradeability sideways	13°
Standard engine	Honda 13 Hp Petrol
Optional engine	Kubota 9 Hp Diesel
Dual power options	240V
Max drive speed	4 km/h
Radio control	Optional

(All specs E&OE and subject to change)





MONITOR 125 - SPIDER LIFTS



GET IN TOUCH

You may contact us at monitor.net.au, or call us at 1800 025 024.

