

# CMC S28

THE SPECIALIFT

**monitor**

the world's  
best equipment  
supported  
locally



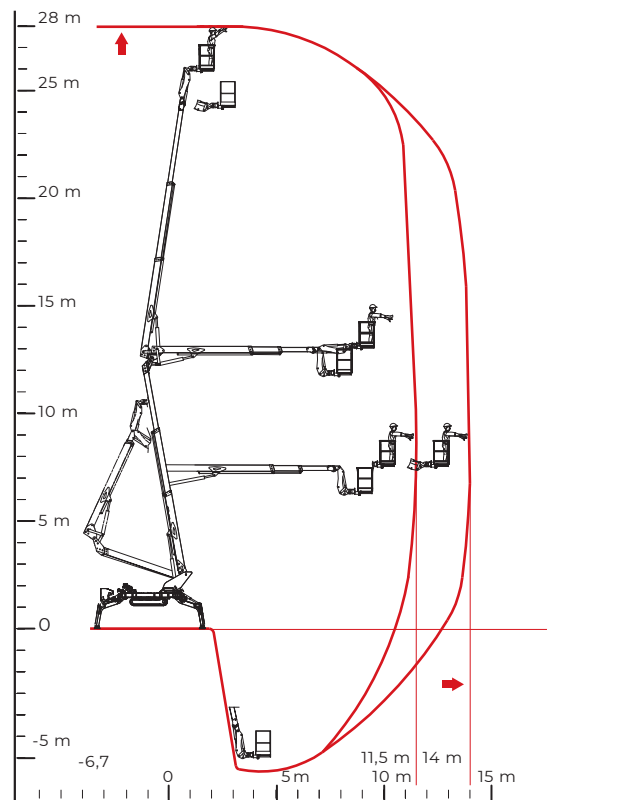
## TECHNICAL SHEET

### PERFORMANCE AND DIMENSIONS

#### Main features

A bundle of power and technology capable of performing in any application. It has four stabilisation areas, two working areas and climbing outriggers for working on all types of terrain and reaching even the most difficult spots with its maximum working height of 28m, lateral outreach of 14m and the ability to work in negative down to -6.7m.

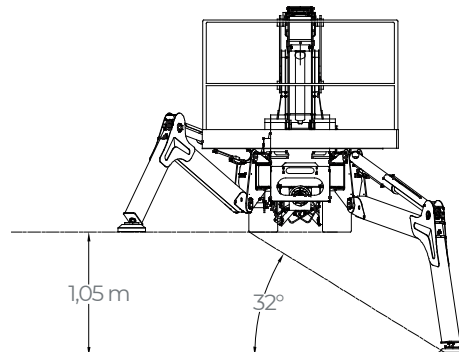
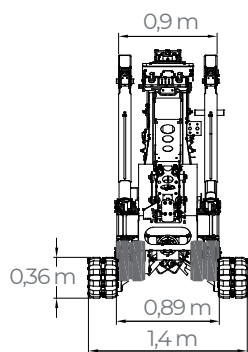
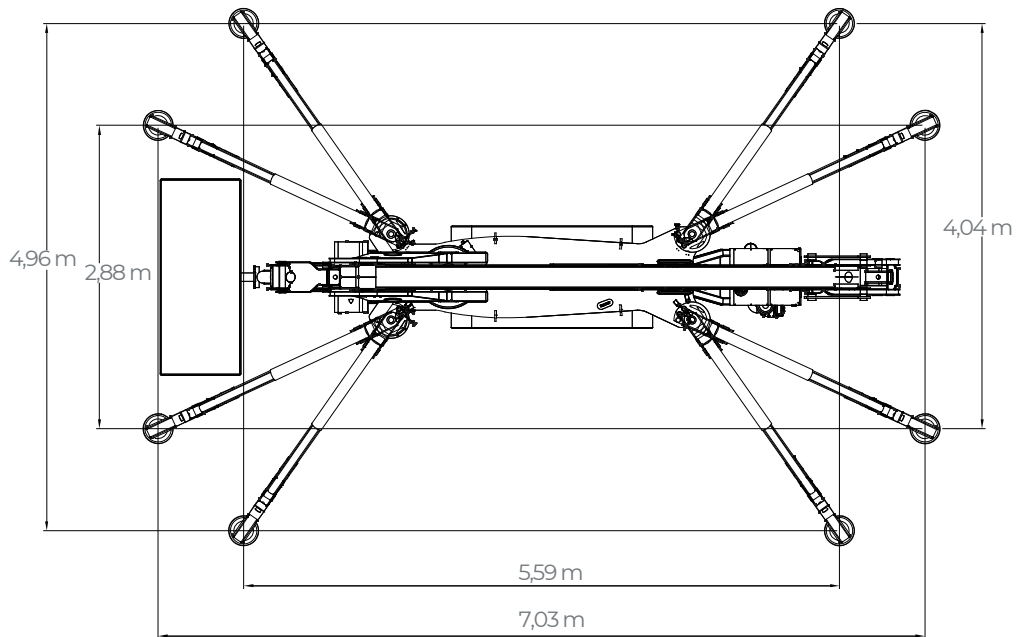
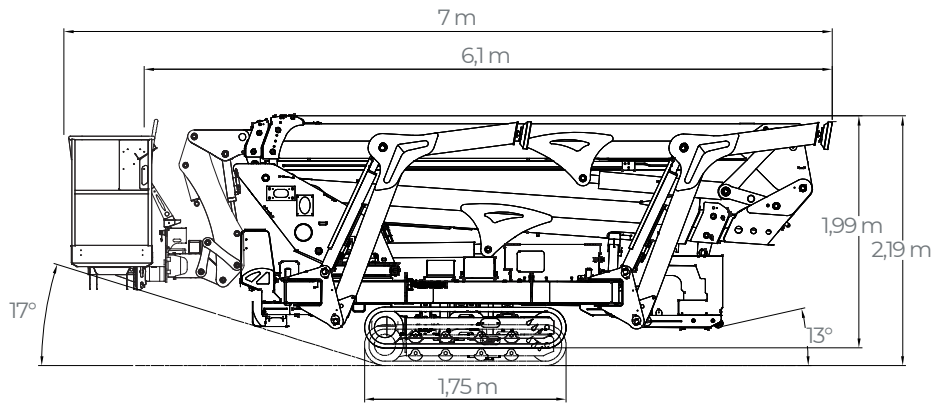
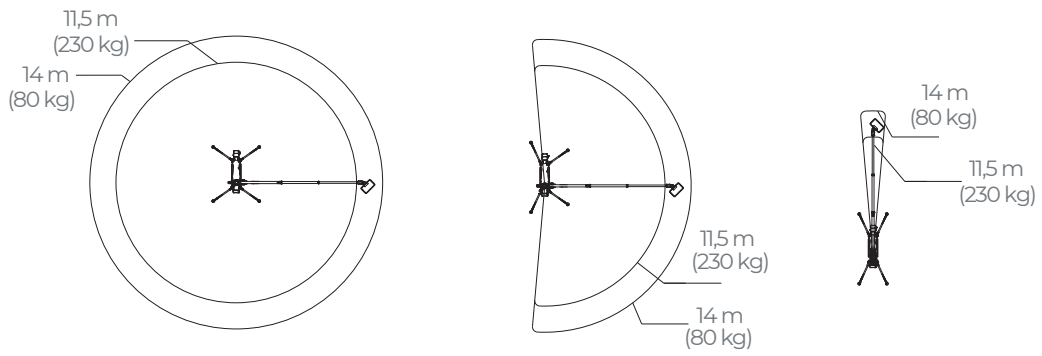
Max. working height	<b>27,9 m</b>
Possibility of working in negative	<b>-6,7 m</b>
Max. outreach with 80 kg	<b>14 m</b>
Platform height	<b>25,9 m</b>
Max. load in basket	<b>230 kg</b>
Basket dimensions	<b>1,7 x 0,7 x 1,1 m</b>
Basket rotation	<b>+/-90°</b>
Turret rotation	<b>+/- 200°(400° continuous)</b>
Total weight	<b>4123 Kg</b>



1800 025 024  
monitor.net.au

@MonitorAUS





## PERFORMANCE

Max. working height	27,90 m
Max. working outreach	14,00 m (with 80 kg)
Max. working outreach	11,50 m (with 230 kg)
Max. basket capacity	230 kg
Jib movement	+/- 90°
Turret rotation	+/-200° (tot. 400°)
Basket rotation	+/-90°
Max. ramp attack slope(basket side)with tracks closed/ opened	10°/17° - 18%/31%
Max. ramp attack slope (engine side) with tracks closed/ opened	7°/13° - 12%/23%
Max. longitudinal slope to travel	19° - 34%

## DIMENSIONS

Total length with two-men rotated basket**	6,80 m
Total length with basket bracket rotated	6,10 m
Height in driving position (with tracks closed)	1,99 m
Height in driving position (with tracks opened)	2,19 m
Total width without basket	0,90 m
Outriggers plate Ø	0,24 m
Total weight (standard equipment)	4123 kg

## BASKETS AVAILABLE

One man aluminum basket (L x W x H)	0,80x0,60x1,10 m
Two men aluminum basket (L x W x H) with quick release system and wheels	1,70x0,70x1,10 m
Two men aluminum basket (L x W x H)	1,20x0,70x1,10 m
*One man fiberglass basket (L x W x H)	0,80x0,60x1,10 m
*Two men fiberglass basket (L x W x H)	1,20x0,60x1,10 m
*Two men fiberglass basket (L x W x H)	1,40x0,60x1,10 m

## PRESSURES

Max. pressure on the foot	5,84 kg/cm <sup>2</sup>
Max. pressure on the tracks	0,28 kg/cm <sup>2</sup>
Max. pressure in work with 4 outriggers opened	146,00 kg/cm <sup>2</sup>
Max. pressure in work with 4 outriggers closed	213,00 kg/cm <sup>2</sup>
Max. pressure in work with 2 outriggers opened and 2 outriggers closed	172,00 kg/cm <sup>2</sup>

## POWERS

Standard engines	Kubota D902-E4B diesel engine, 16.1 kW (21.6 HP), 3200 rpm Auxiliary electric engine 110/230 V - 2.2 kW Auxiliary electric engine 380 V - 7.5 kW
*Options engines	Full lithium version (G0901306 electric engine, 9 kW, 48 V + 200 Ah lithium batteries) Hybrid version (diesel engine + 200 Ah lithium batteries)
Fuel tank capacity	30 l

\* Options

\*\*with basket 1,40 x 0,70 x 1,10 m