

CMC S23

THE SPECIALIFT



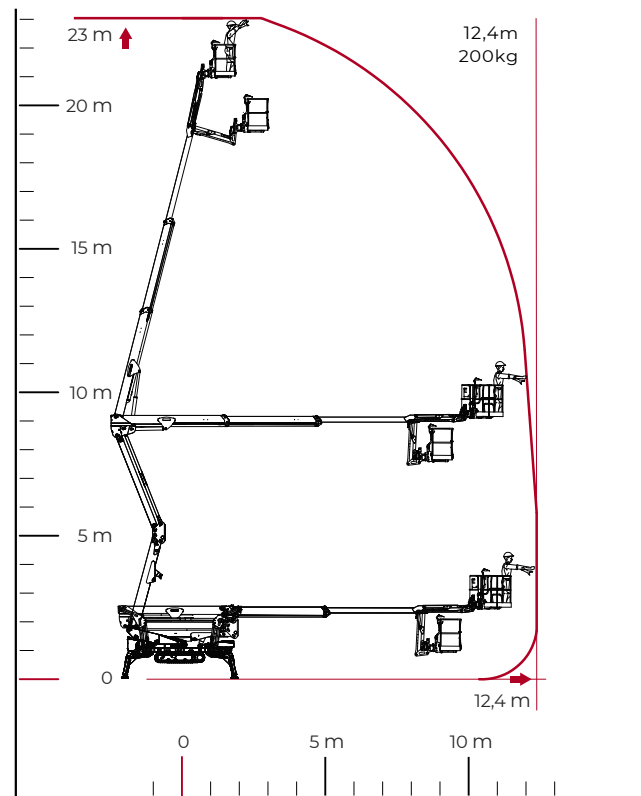
TECHNICAL SHEET

PERFORMANCE AND DIMENSIONS

Main features

With the excellent combination of weight, strength and working height, it's the most compact platform with the longest outreach in its category. Equipped with the Self Control System, developed by CMC, for automatic stabilisation control, manoeuvring speed, automatic closure of the aerial part and collision prevention.

Max. working height	23 m
Max. reach with 200 kg	12,4 m
Platform height	21 m
Max. load in basket	200 kg
Basket dimensions	1,4 x 0,7 x 1,1 m
Basket rotation	+/-90° (options)
Turret rotation	+/- 355° (710° continuous)
Total weight	2880 Kg



1800 025 024
monitor.net.au

@MonitorAUS



