

CMC S19N

THE SPECIALIFT

monitor

the world's
best equipment
supported
locally



TECHNICAL SHEET

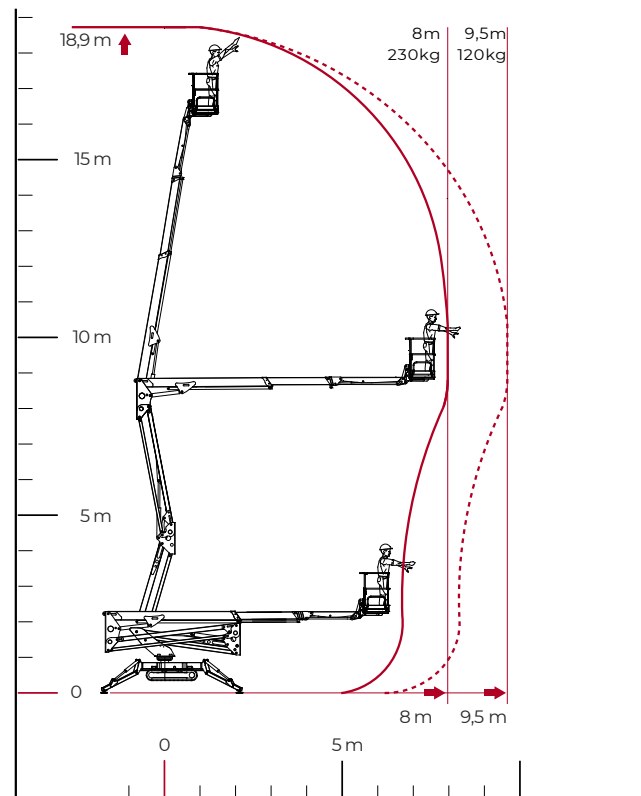
PERFORMANCE AND DIMENSIONS

Main features

N for Narrow, this platform featured the narrowest stabilisation area in its class.

It's the best tool to work in tight spaces without compromising the outreach performance.

Max. working height	18,9 m
Max. reach with 120 kg	9,5 m
Platform height	16,9 m
Max. load in basket	230 kg
Basket dimensions	1,4 x 0,7 x 1,1 m
Turret rotation	+/- 178° (356° non-continuous)
Total weight	2435 Kg



1800 025 024
monitor.net.au

@MonitorAUS



