

cmc S19HD

THE SPECIALIFT

monitor

the world's
best equipment
supported
locally



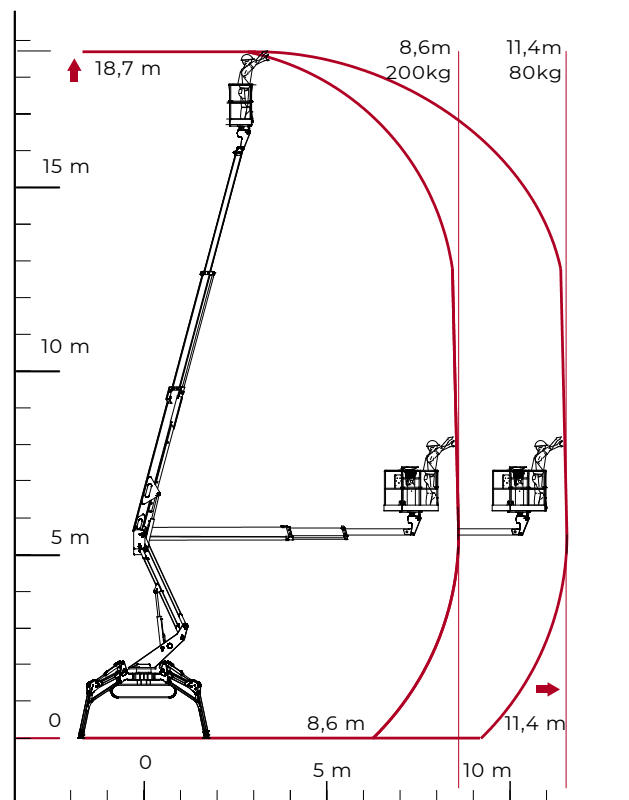
TECHNICAL SHEET

PERFORMANCE AND DIMENSIONS

Main features

This articulated platform with pantograph and telescopic boom offers outstanding performance thanks to its stabilizers of high levelling capacity. Designed for maximum work performance on the toughest terrain, it's an excellent alternative to a truck-mounted platform

Max. working height	18,7 m
Max. reach with 80 kg	11,4 m
Platform height	16,7 m
Max. load in basket	200 kg
Basket dimensions	1,4 x 0,7 x 1,1 m
Basket rotation	+90°/-87° (options)
Turret rotation	+/- 355° (710° continuous)
Total weight	2685 Kg



1800 025 024
monitor.net.au

@MonitorAUS



