

# cmc S19E

THE SPECIALIFT

**monitor**

the world's  
best equipment  
supported  
locally



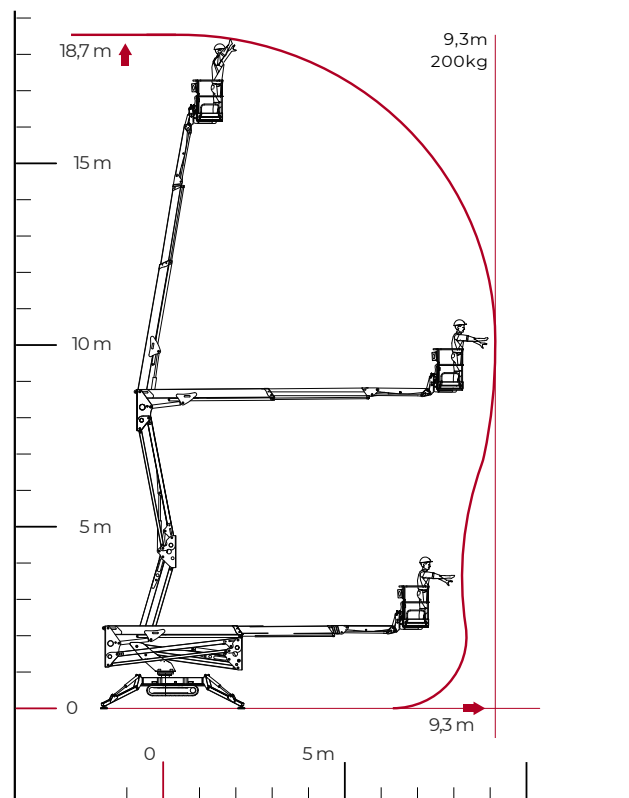
## TECHNICAL SHEET

### PERFORMANCE AND DIMENSIONS

#### Main features

A geometric platform, without outreach limiting device, with low weight and extreme compactness, easy to transport on a trailer and suitable for any type of application.

Max. working height	<b>18,7 m</b>
Max. reach with 200 kg	<b>9,3 m</b>
Platform height	<b>16,7 m</b>
Max. load in basket	<b>200 Kg</b>
Basket dimensions	<b>1,4 x 0,7 x 1,1 m</b>
Turret rotation	<b>+/- 178° (356° non-continuous)</b>
Total weight	<b>2545 Kg</b>



1800 025 024  
monitor.net.au

@MonitorAUS



