

monitor

the world's
best equipment
supported
locally

Sales | Service | Parts | Hire | Finance

Monitor ML810 Mast Lift

1800 025 024
monitor.net.au

@MonitorAUS



V1.0 - 241106



MONITOR ML810

monitor
Access



Designed for indoor and outdoor use, these super compact tracked mast-lifts are ideal for up-and-over access in very confined areas.

The tracks provide excellent stability and traction off-road, and also a soft gentle footprint inside buildings and on other fragile surfaces.

A standout feature of Monitor's Mast Lifts is their rugged design and very simple control systems. These combine to make these machines bullet proof in all types of rough conditions.

Pilot operated hydraulic controls are not only very smooth to use, but are also extremely reliable and remain unaffected by wet conditions that often play havoc with other designs.

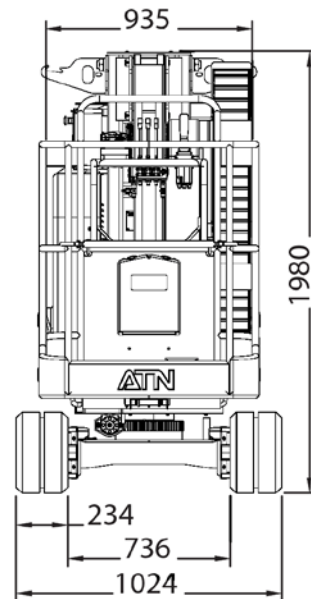
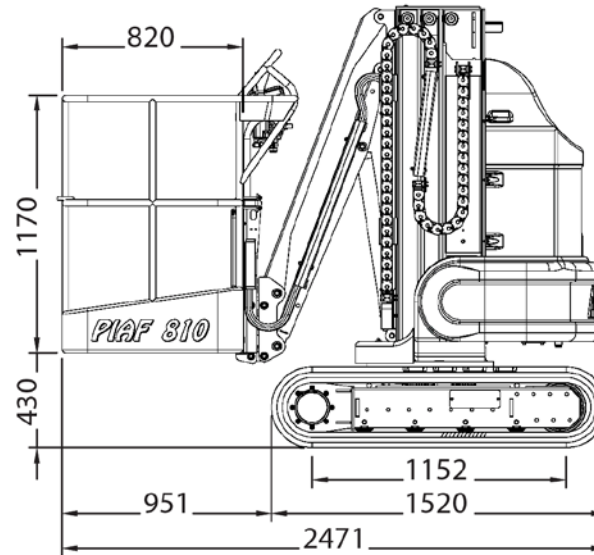
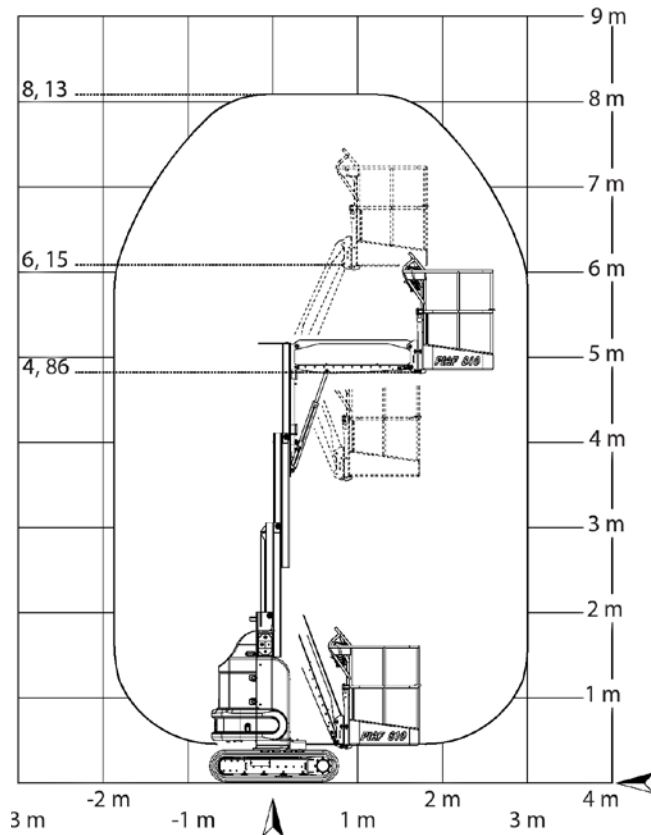
The 1.2 m width of the ML's along with their zero turning radius is an outstanding combination for operating in laneways or narrow aisles, and their long hydraulic fly-jib provides the outreach needed to access areas above obstacles such as shelving etc.



8.1M
WORKING HEIGHT



Technical Specifications



| | |
|-------------------------------------|-----------------------|
| Max working height | 8.1 m |
| Max horizontal outreach | 3 m |
| Max rated capacity | 200 kg |
| Weight | 2200 kg |
| Turret rotation | 220° |
| Max permissible tilt | 5° |
| Ground pressure driving (approx.) | 49 kN/m ² |
| Traffic load (live load) travelling | 7.4 kN/m ² |
| Gradeability lengthwise | 16° |
| Gradeability sideways | 16° |
| Standard power source | Batteries |
| Expanding tracks | N/A |
| Max drive speed | 1.8 km/hr |
| Electric emergency lowering | Optional |
| Outdoor rating | 2 persons |

(All specs E&OE and subject to change)





zero
downtime
guarantee*



Our Locations

Branches & Service Centres



Tamworth

143 Gunnedah Rd
Tamworth NSW 2340



Sydney

49-50 Cassola Pl
Penrith NSW 2740



Melbourne

24-28 William Rd
Dandenong South VIC 3175



Brisbane

191 Magnesium Dr
Crestmead QLD 4132



Brisbane - Caboolture

2 Alta Road
Caboolture QLD 4510



Perth

11 Reihill Rd
Maddington WA 6109



agent@monitor.net.au

1800 025 024
monitor.net.au

@MonitorAUS



monitor

the world's best equipment supported locally

Monitor ML810 Mast Lift