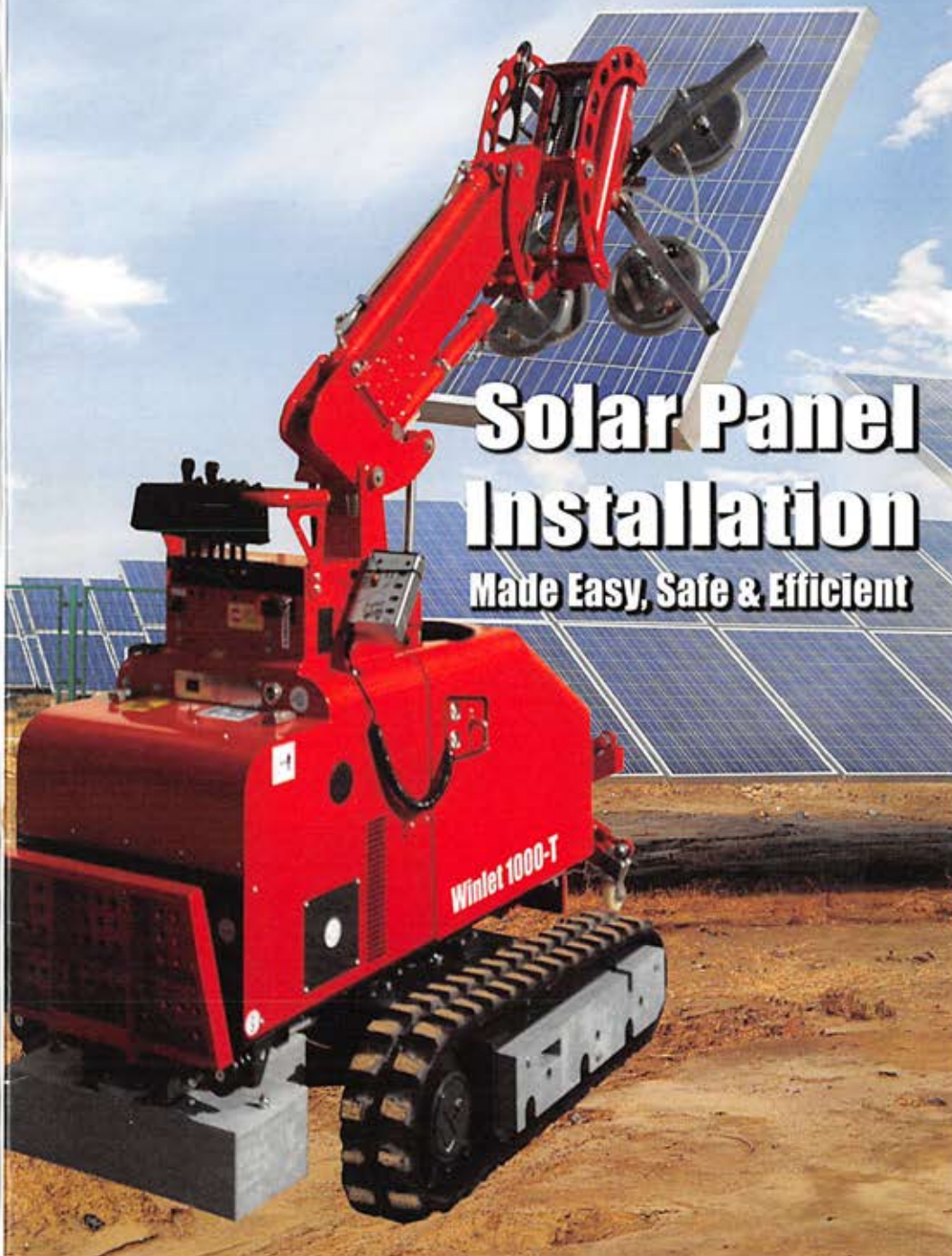


Winlet 1000-T Technical Specifications

Length, stowed position	8' 4"
Width, stowed position, minimum, tracks in	2' 4"
Width, stowed position, yoke turned	2' 7"
Width, stowed position, maximum, tracks out	3' 4"
Height, stowed position	5' 4"
Weight	3084 lbs
Capacity, maximum at minimum range, tracks out	1050 lbs
Capacity, maximum at maximum range, tracks out	770 lbs
Capacity, maximum at 45° turret rotation, tracks out	770 lbs
Capacity, maximum at 90° turret rotation, tracks out	385 lbs
Capacity, maximum at 90° turret rotation, tracks in	200 lbs
Reach from center of turret, maximum	7' 7"
Reach from center of turret, minimum	4' 7"
Lifting height, verticle center of yoke	9'
Lifting height, horizontal yoke	10' 2"
Horizontal to horizontal turning of yoke (up/down vertically)	
Turning of yoke (side/side horizontally)	180° (2x90°)
Rotation of yoke, continuous	360°
Rotation of turret (optional)	180° (2x90°)
Hydraulic track drive system powered by Honda GX390	
Fuel capacity	1.6 gallon
Battery powered lifting and vacuum system, 2 x V12 (95AH)	
Onboard battery charger 110v 15/20 amp supply	
Vacuum system with diagonal dual circuit	
Sloping	30°/60%
Speed mph (min/max)	1.4/2.6



Solar Panel Installation

Made Easy, Safe & Efficient

Winlet Winlet 770 1265 & 1320

- Max Lift Capacity: 770 - 1320 lbs
- Self propelled
- Battery powered
- Lift airtight materials

Mighty Crane CR285D/CR335D

- Max Lift Capacity: 6570 lbs
- Ultra compact
- Tier 4 engine
- Dual power

GALIZIA Galizia G20

- Max Lift Capacity: 4400 lbs
- Lightweight
- Ultra compact
- Electric



GMV A/S (SOUTH)
INDUSTRI-PARKEN 1
DK - 7182 BREDSTEN

GMV A/S (NORTH)
MOESKJÆRVEJ 2
DK - 7620 LEMVIG

TEL +45 7573 8247
CVR DK 21801283
WWW.GMVAS.DK
WWW.WINLET.DK
WWW.ERGOMOVER.DK



Winlet 1000-T

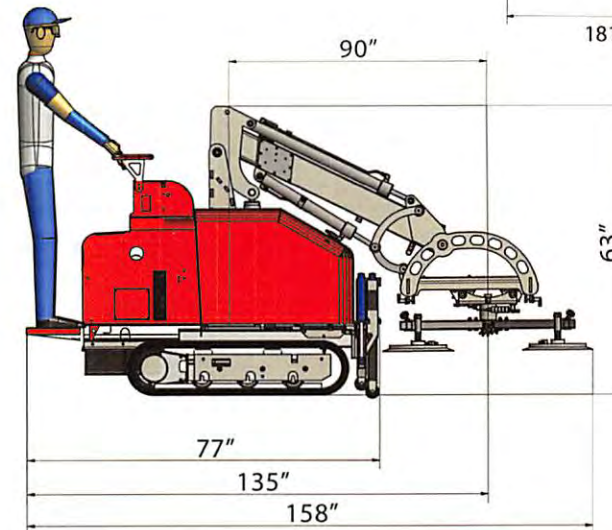
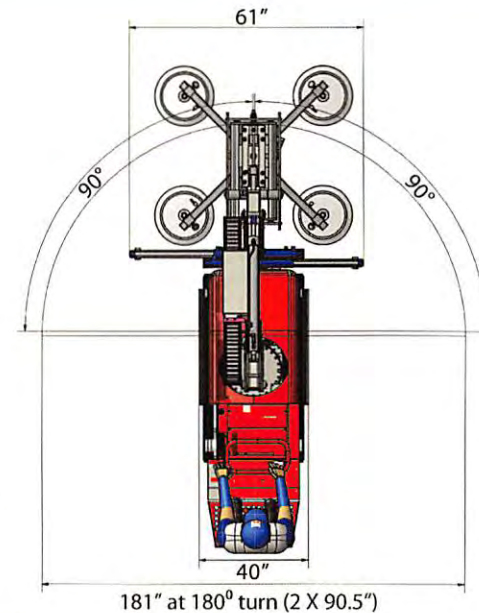
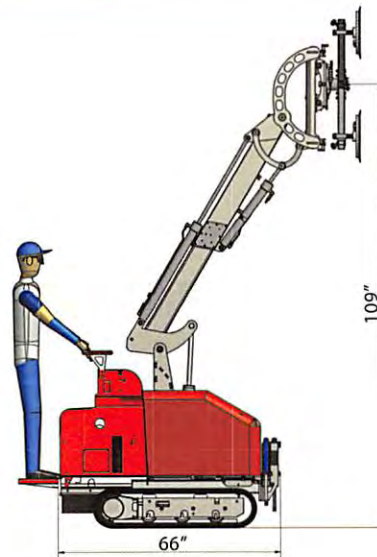
The NEW Winlet 1000-T is specifically designed to perform advanced and safe solar panel and glass installations in rough terrain applications.



The dual circuit vacuum system ensures that the object stays in place while driving into position, and the remote control allows the operator to stay right next to the installation area.



Powered by the latest generation Honda GX390 engine, the track-based chassis with adjustable tracks is the perfect self-propelled base for the proven Winlet glass installation machine. For more than 25 years Winlet vacuum technology has proven its efficiency in a global market as a safer and more efficient alternative to manual glass handling.



The compact format provides access to areas that are only 3' wide & unsurpassed side reach with the 90° turret rotation. Combined with the multiple manipulation features of the yoke the Winlet 1000-T can safely position panels where no other machine or manual handling can reach.

