

monitor LiFTS

SYDNEY MELBOURNE BRISBANE TAMWORTH

monitor.net.au • 1800 025 024



MONITOR 190 SPIDER LIFT



MONITOR 190

Uniquely available with the option of either 4 Wheel Drive for smoother, faster travel speed, or tracks for rougher terrain applications, the Monitor 190 can access many difficult locations and handle harsh applications with ease.

Being skid-steer, the Monitor 190 turns on the spot, and with all controls conveniently located in the platform, is very quick and easy to operate.

Featuring dual power sources, the Leguan is just as at home indoors as outdoors, making this machine one of the most versatile E.W.P's available.

The Monitor 190 Spider Lift is certified for two operators and the excellent outreach envelope ensures reliable and safe operations, all day, every day.

The strong all-steel construction guarantees a long trouble-free service life.

19M
WORKING HEIGHT





monitor 190 SPIDER LIFT

monitor LIFTS

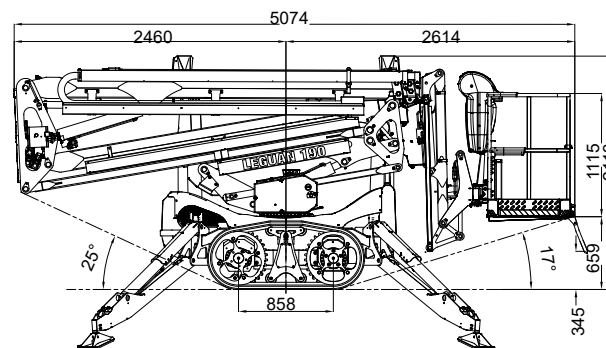
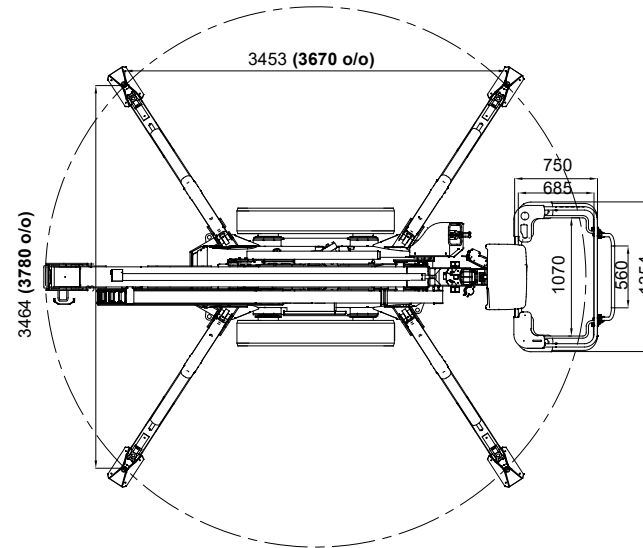
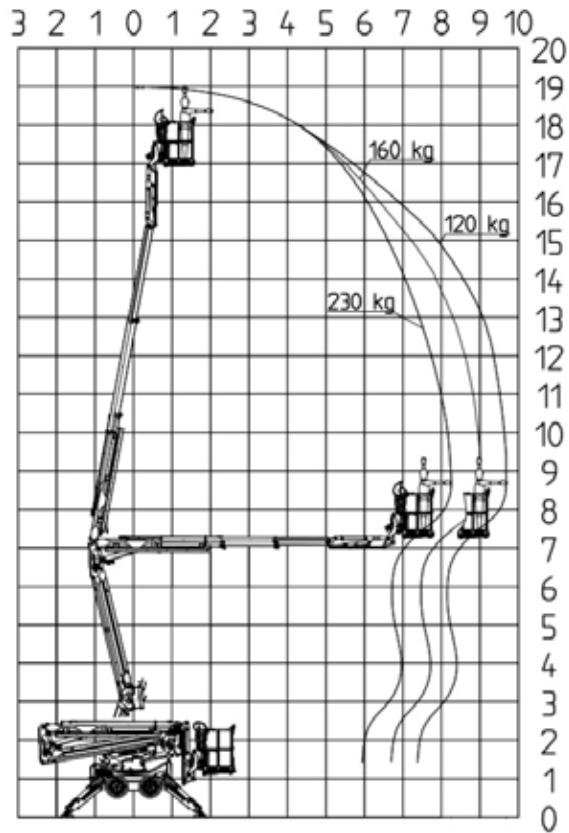
DIESEL



MONITOR 190 - SPIDER LIFTS

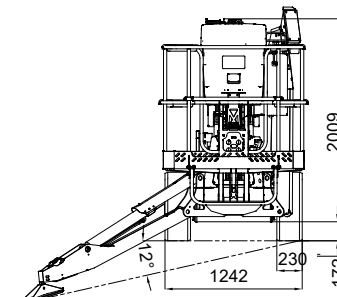


TECHNICAL SPECIFICATIONS



Max working height	19.00 m
Max horizontal outreach	8.1 m (230kg) / 9.8 m (120kg)
Max rated capacity	230 kg
Weight	2680 kg
Turret rotation	360°
Basket rotation	90°
Ground pressure driving (approx)	tyres 306kN/m ² (tracks 74 kN/m ²)
Max stabiliser force	20 kN
Max stabiliser pressure (std foot pad)	340 kN/m ²
Traffic load (live load) travelling	4.56 kN/m ²
Traffic load (live load) stabilised	2 kN/m ²
Auto levelling	Yes
Max slope for stabilisers (no extra pads)	12°
Gradeability lengthwise	20°
Gradeability sideways	20°
Standard engine	Kubota 14 Hp Diesel
Dual power options	240V
Tracks	Optional
Max drive speed	5.2 km/h
Radio control	Std

(All specs E&OE and subject to change)





GET IN TOUCH

You may contact us at monitor.net.au, or call us at 1800 025 024.

