

monitor LiFTS

SYDNEY MELBOURNE BRISBANE TAMWORTH

monitor.net.au • 1800 025 024

MONITOR 43T SPIDER LIFT



MONITOR 43T

With a massive 43 m of working height, and over 18 m of horizontal outreach, the new Monitor 43T Spider Lift is truly a formidable weapon.

With a basket capacity of 330kg, this machine has the ability to tackle the biggest

jobs where size really does matter!

Enormous stabilizer leg travel allows the Monitor 43T to set up and operate in the most challenging terrain. The Monitor 43T's powerful track drive will ensure it gets to the location with ease.

And yet, with its unique double telescopic articulated booms, this machine will also allow operators to manoeuvre the basket into the work zone with fine precision.

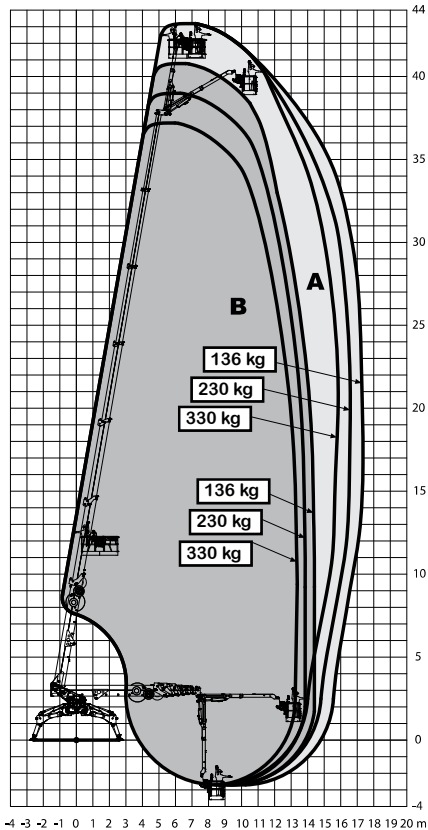


43.18M
WORKING HEIGHT

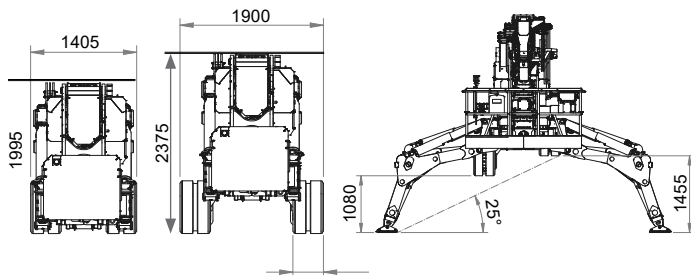
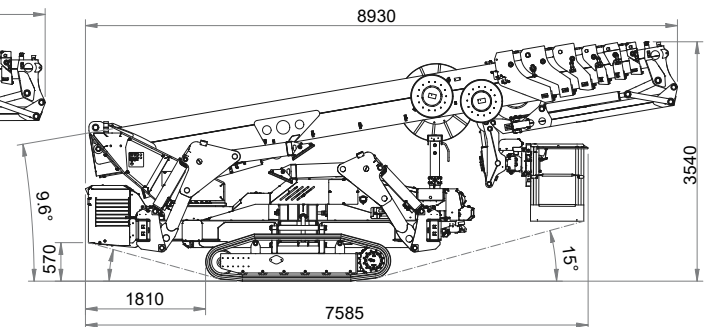
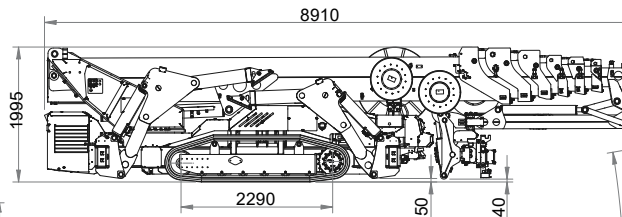
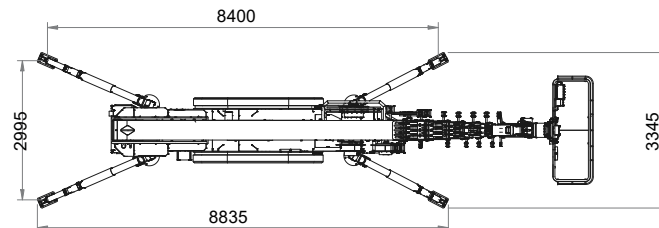
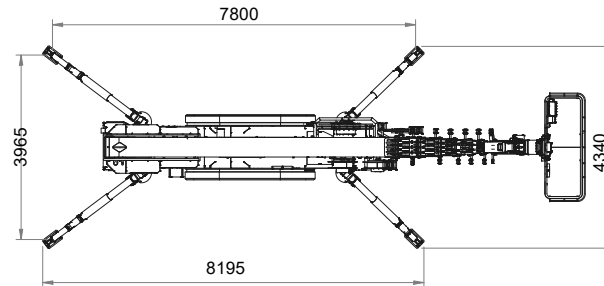
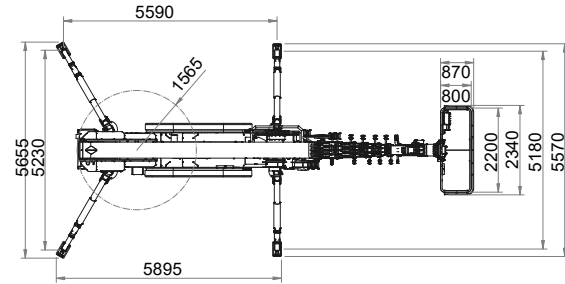




TECHNICAL SPECIFICATIONS



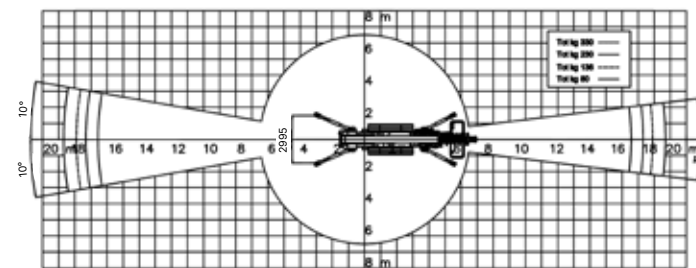
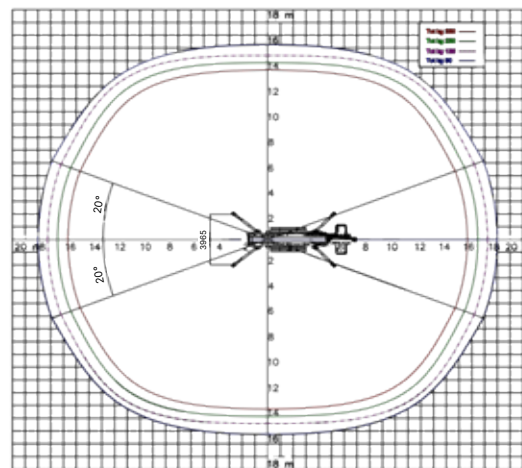
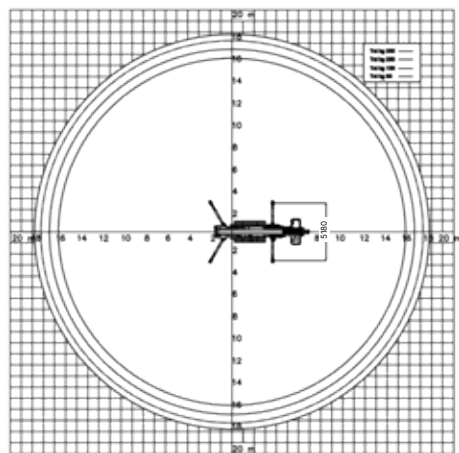
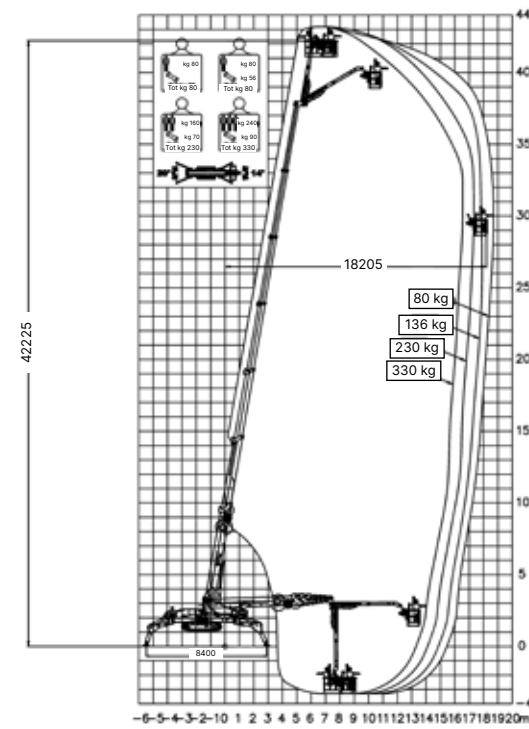
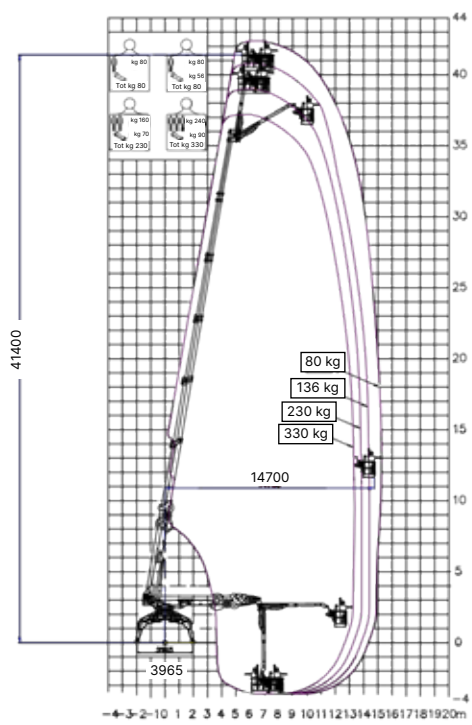
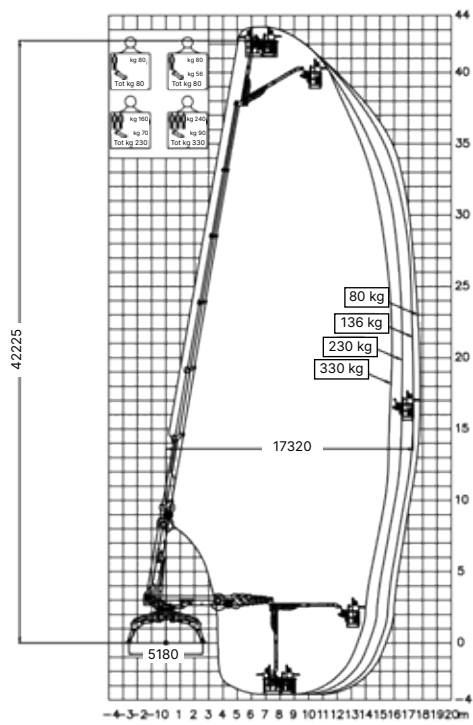
— B = Narrow Set
 — A = Wide Set



Max working height	43.18 m
Max working height in narrow set	40.50 m
Max horizontal outreach	18.69 m
Max rated capacity	330 kg
Weight : Engine + Lithium Batteries	LBD 12920 kg
Turret rotation	Continuous 360°
Basket rotation	180°
Ground pressure driving (approx)	92.35 kN/m ²
Max stabiliser force	94 kN
Max stabiliser pressure (std foot pad)	93.6 kN/m ²
Traffic load (live load) travelling	6.0 kN/m ²
Traffic load (live load) stabilised wide	4.2 kN/m ²
Traffic load (live load) stabilised narrow	4.9 kN/m ²
Auto levelling	Std
Max slope for stabilisers (no extra pads)	25°
Gradeability lengthwise	15°
Gradeability sideways	17°
Standard engine	Kubota 37 Hp Diesel
Dual power options	Lithium Batteries
Expanding tracks	Std
Max drive speed	1.5 km/h
Radio control	Std
Electric emergency lowering	Std
Hydraulic winch	Optional

(All specs E&OE and subject to change)







MONITOR 43T - SPIDER LIFTS



OPTIONAL ACCESSORIES

Lithium Battery

With a more efficient technology that is environment friendly with the reduction of noise and emissions and increased safety.

It boasts a fully electric solution that enables it to be used in any situation with low noise, and no emissions.



500kg Winch

Switch out your Spider Lift's basket to a 500kg Lifting Winch when needed.

Transform your Spider Lift to a Spider Crane, and easily hoist materials easily.



