

monitor LiFTS

SYDNEY MELBOURNE BRISBANE TAMWORTH

monitor.net.au • 1800 025 024



MONITOR 2210 EVO SPIDER LIFT



MONITOR 2210 EVO

Excellent up-and-over reach with modern double-knuckle technology, and adjustable fly-jib for extra maneuverability.

The Monitor 2210 EVO also has the most unique ability to rotate a complete 360° even when the stabilizer legs are set in their narrow position.

With the basket removed and tracks in narrow position, the 2210 Evo allows for doorway access. Weighing in at only 3 t, this 22 m Spider Lift is ideally suited for use on load-sensitive surfaces.

The radio control feature allows all functions to be controlled from the basket (or any other

position). This includes driving, setting the stabilizer legs and operating the booms, making the 2210 Evo exceptionally operator-friendly.

Compact dimensions + light weight = transportability! The 2210 Evo is available on a very strong trailer weighing in at a total of approx. 4 t.



21.7M
WORKING HEIGHT

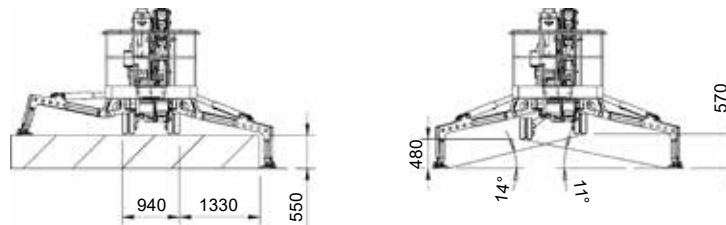
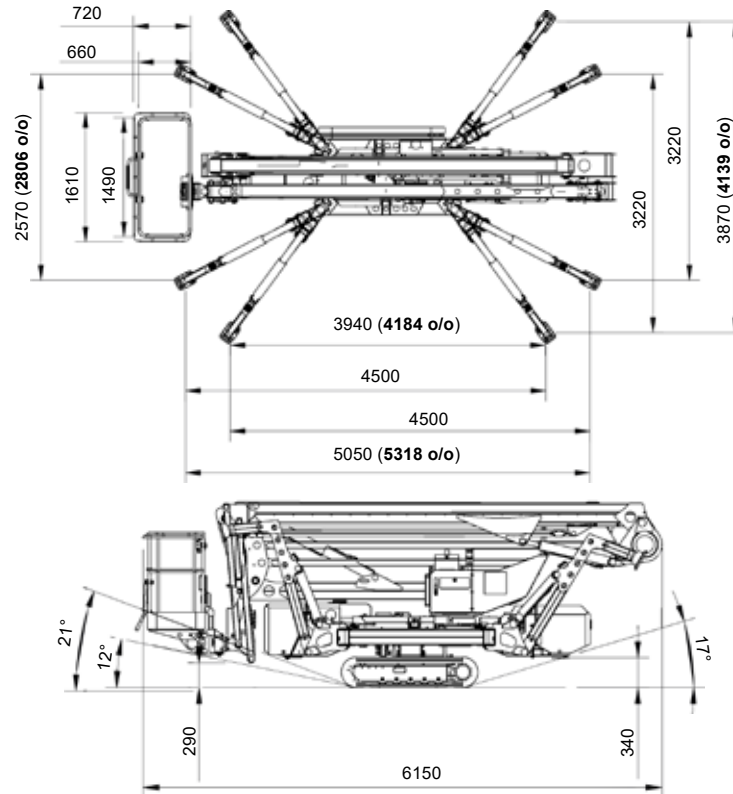
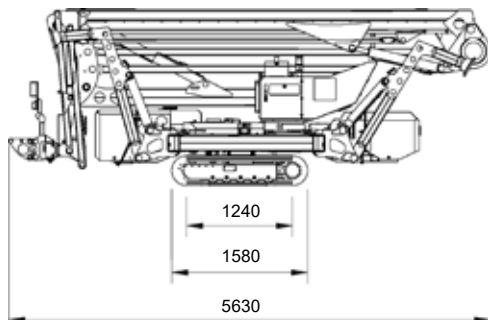
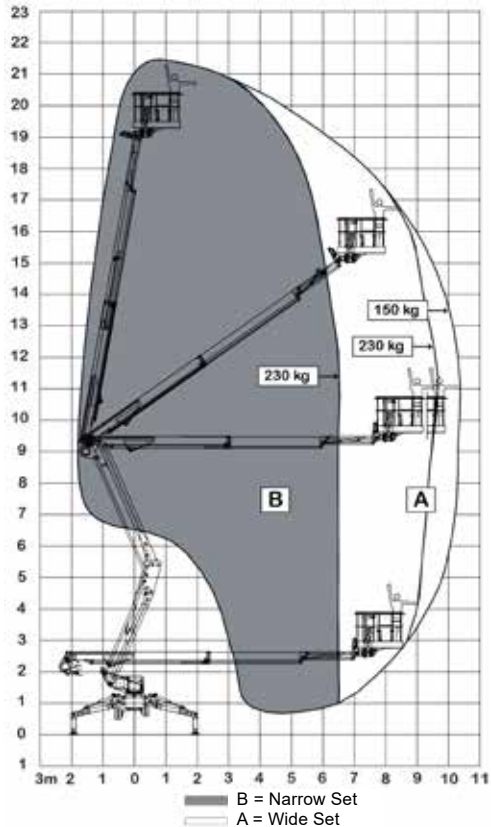




MONITOR 2210 EVO - SPIDER LIFTS

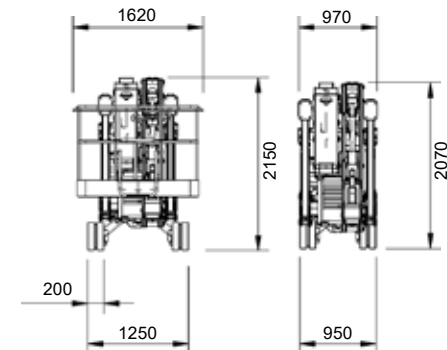


TECHNICAL SPECIFICATIONS



Max working height	21.70 m
Max working height in narrow set	21.70 m
Max horizontal outreach	10.30 m
Max rated capacity	230 kg
Weight: Engine + 240V	ED 2980 kg
: Engine + Batteries	BD 3260 kg
: Engine + Lithium Batteries	LBD 3180 kg
Turret rotation	365°
Basket rotation	180°
Ground pressure driving (approx)	65 kN/m ²
Max stabiliser force	20 kN
Max stabiliser pressure (std foot pad)	500 kN/m ²
Traffic load (live load) travelling	3.35 kN/m ²
Traffic load (live load) stabilised wide	2.18 kN/m ²
Traffic load (live load) stabilised narrow	2.02 kN/m ²
Auto levelling	Std
Max slope for stabilisers (no extra pads)	17°
Gradeability lengthwise	16°
Gradeability sideways	15°
Standard engine	Kubota 14 Hp Diesel
Dual power options	240V or Batteries or Lithium
Expanding tracks	Std
Max drive speed	2.5 km/h
Radio control	Std
Electric emergency lowering	Std
Hydraulic winch	Optional

(All specs E&OE and subject to change)





GET IN TOUCH

You may contact us at monitor.net.au, or call us at 1800 025 024.

