

monitor LiFTS

SYDNEY MELBOURNE BRISBANE TAMWORTH

monitor.net.au • 1800 025 024



MONITOR 1890 P SPIDER LIFT



MONITOR 1890 P

The Monitor 1890 is the most popular Spider Lift in Australasia, and not without reason. Economical, very compact, simple to use, reliable, and excellent outreach. OK! No wonder.

With its light weight design, the 1890 is very easy to transport on Monitor's strong galvanized steel trailer. The tracks expand out and down to give excellent off-road ability,

and yet with the tracks retracted, the 1890 has incredible stowed dimensions of only 790 x 1920 mm which allows it to drive through a domestic doorway!

The extra-long travel stabilizer legs on the 1890 makes it the first choice for working on sloping sites. Narrow paths, nice lawns, sloping ground? That's 1890 country! With its dual power function and super-compact

dimensions, the 1890 is brilliant where a lot of outreach is required in confined indoor locations.

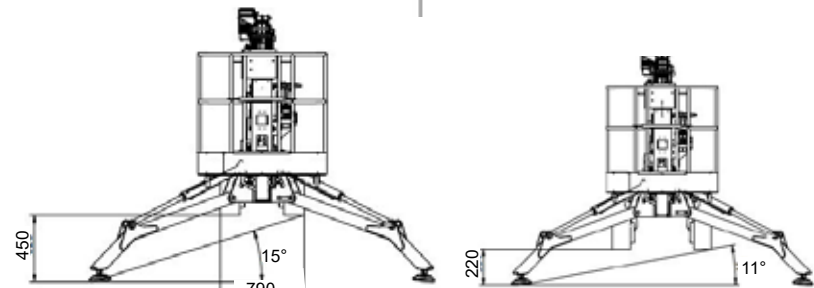
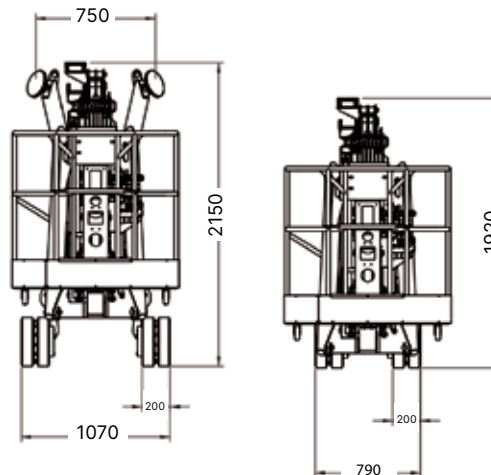
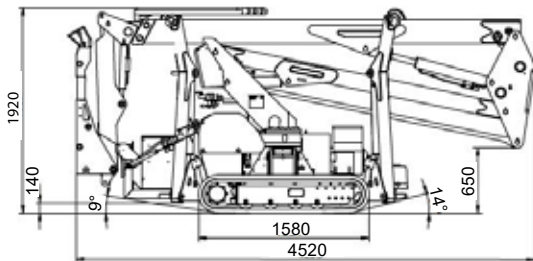
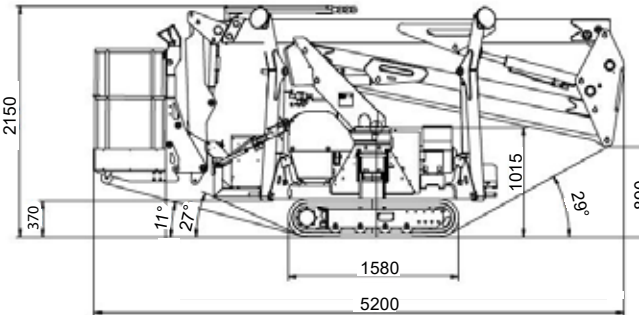
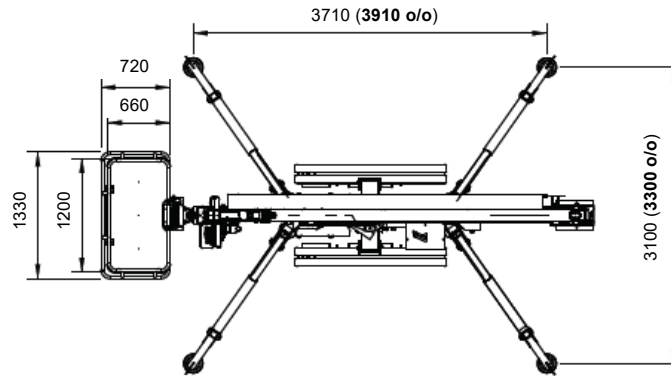
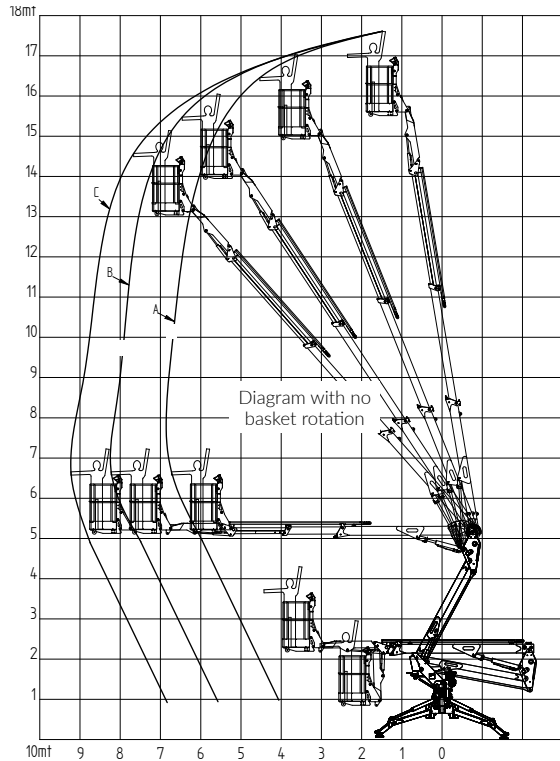
The Monitor 1890 PRO version offers 14 hp water-cooled twin cylinder Kubota diesel, auto-levelling, 2 speed drive and radio-controlled drive and stabilization.



17.6m
WORKING HEIGHT



TECHNICAL SPECIFICATIONS



Max working height	17.60 m
Max horizontal outreach	9.23 m
Max rated capacity	200 kg
Weight: Engine	2420 kg
Turret rotation	360°
Basket rotation	N/A
Ground pressure driving (approx)	47 kN/m ²
Max stabiliser force	17.4 kN
Max stabiliser pressure (std foot pad)	478 kN/m ²
Traffic load (live load) travelling	3.73 kN/m ²
Traffic load (live load) stabilised	2.28 kN/m ²
Auto levelling	Std
Max slope for stabilisers (no extra pads)	15°
Gradeability lengthwise	24°
Gradeability sideways	15°
Standard engine	Honda 13 Hp Petrol
Optional engine	Kubota 14 Hp Diesel
Expanding tracks	Std
Max drive speed	1.5 km/h
Electric emergency lowering	Optional

(All specs E&OE and subject to change)





WARNING!
When setting stabilizer
Avoid placing them on soft
or uneven ground. Always use
the spreader to spread the load
and reduce ground pressure.

**HOLD ARM FORWARD
FOR AERIAL MOVEMENTS**

**FOLD ARM BACK
FOR CRAWLER DRIVE
& STABILIZER LEGS**

WARNING!
DO NOT OVERHAUL FROM
THE REAR WITH THE LIFTING



MONITOR 1890 P - SPIDER LIFTS



GET IN TOUCH

You may contact us at monitor.net.au, or call us at 1800 025 024.



MONITOR 1890 P - SPIDER LIFTS

