

monitor LiFTS

SYDNEY MELBOURNE BRISBANE TAMWORTH

monitor.net.au • 1800 025 024



MONITOR 1380 SPIDER LIFT



MONITOR 1380

The Monitor 1380 Spider Lift's light weight and amazingly compact stowed dimensions allows it to be used in the most difficult locations.

The light-weight basket is simple to remove in less than one minute, allowing very narrow

access and reducing the stowed length to only 3.64 m.

The Monitor 1380 Spider Lift is a simple, strong machine, ideally suited to commercial contractors such as painters, electricians and shed builders.

The large fly-jib is designed for maximum travel and flexibility. The drive controls can be operated via a remote control for ease of manoeuvrability.

Expandable tracks provide stability on uneven terrain, and narrow access ability when required for confined areas.

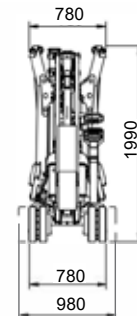
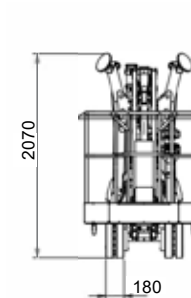
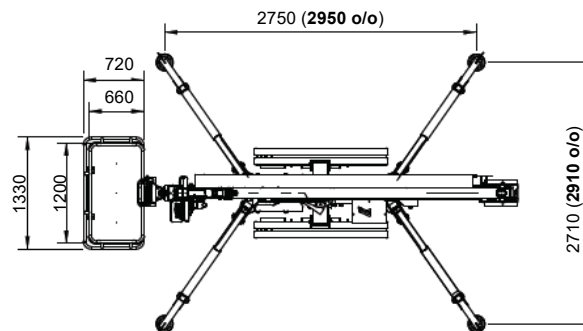
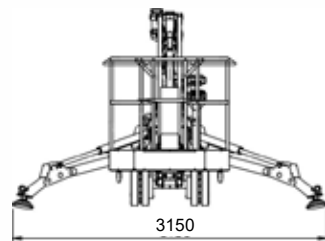
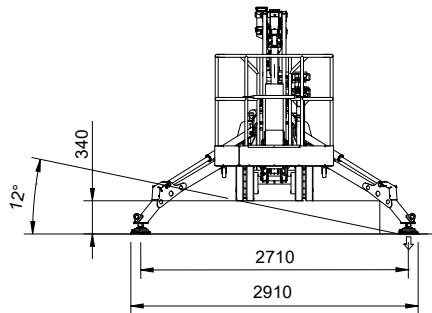
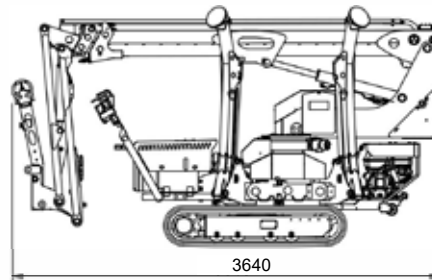
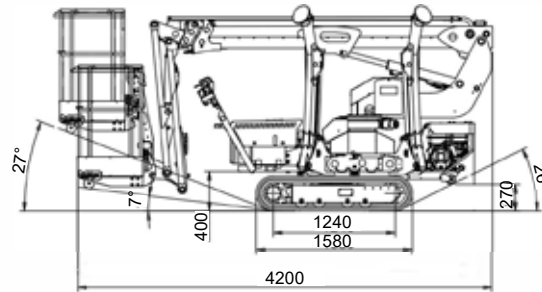
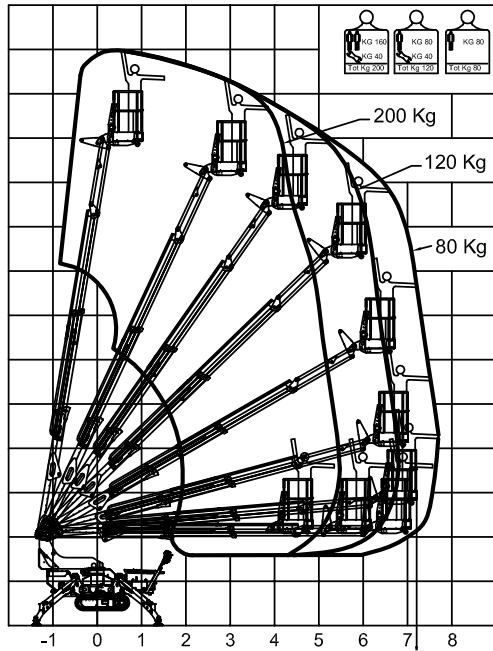


12.99M
WORKING HEIGHT





TECHNICAL SPECIFICATIONS



Max working height	12.99 m
Max horizontal outreach	7.70 m
Max rated capacity	200 kg
Weight: Engine + 240v	EP 1800 kg
: Engine + Batteries	BP 1842 kg
Turret rotation	360°
Basket rotation	N/A
Ground pressure driving (approx)	37.8 kN/m ²
Max stabiliser force	11.81 kN
Max stabiliser pressure (std foot pad)	375 kN/m ²
Traffic load (live load) travelling	3.1 kN/m ²
Traffic load (live load) stabilised	2.3 kN/m ²
Auto levelling	N/A
Max slope for stabilisers (no extra pads)	12°
Gradeability lengthwise	15°
Gradeability sideways	12°
Standard engine	Honda 13 Hp Petrol
Optional engine	Hatz 7 Hp Diesel
Dual power options	240V or Batteries
Expanding tracks	Std
Max drive speed	2.4 km/h
Drive control	Wired remote
Electric emergency lowering	Optional

(All specs E&OE and subject to change)





GET IN TOUCH

You may contact us at monitor.net.au, or call us at 1800 025 024.

