

**monitor** LiFTS

SYDNEY MELBOURNE BRISBANE TAMWORTH

monitor.net.au • 1800 025 024

**monitor** LiFTS

# MONITOR 2300EX TRAILER MOUNTED LIFT



# MONITOR 2300EX

The Monitor 2300EX Trailer Mounted Lift is a strong and stable knuckle boom trailer mounted lift, which makes it perfect for transport.

Weighing in at 3330 kg with 23 m height, and 12.7 m outreach, the Monitor 2300EX provides up and over reach without tail swing. Powered by a Honda engine with an option of hybrid (batteries).

Equipped with hydraulic propulsion, this unit can be maneuvered into position without being attached to a vehicle.

Its turntable basket has a MRC of 200 kg, so it's capable of holding up to 2 people.

The Monitor 2300EX's unique double-pantograph design provides a very compact stowed dimension.

**22.6m**  
WORKING HEIGHT

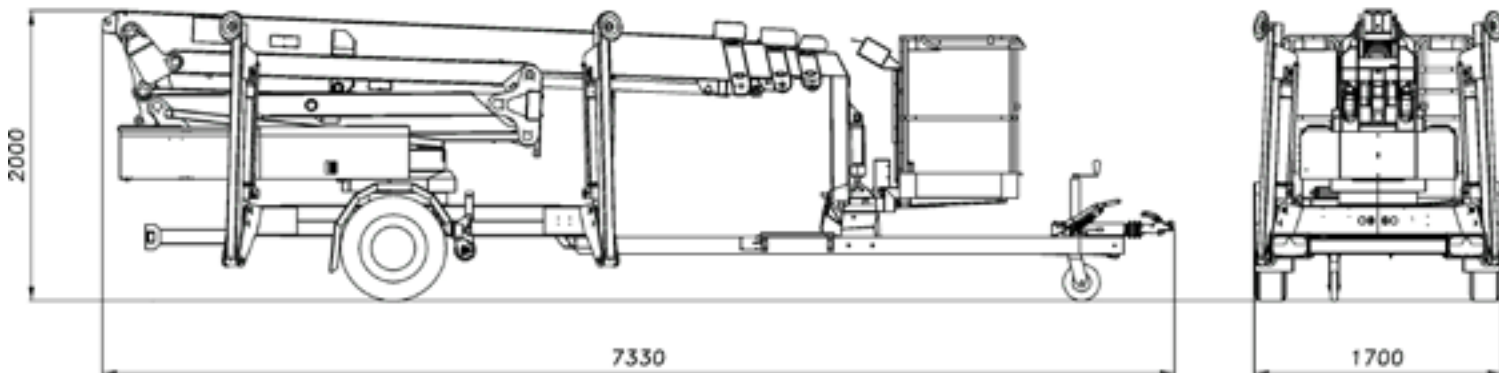
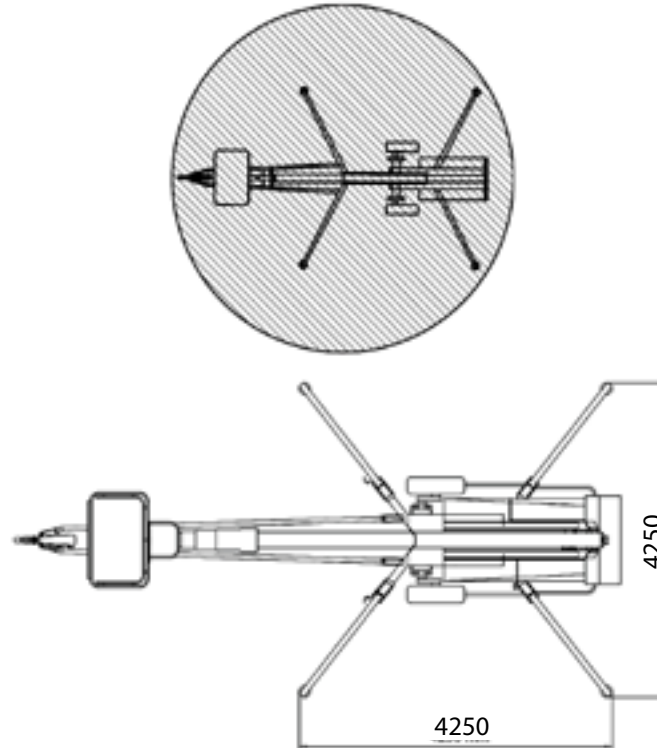
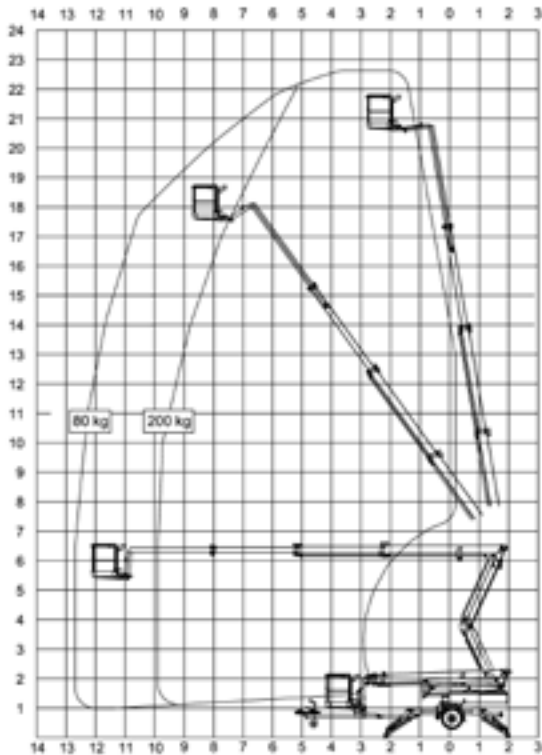




MONITOR 2300EX - TRAILER MOUNTED LIFTS



# TECHNICAL SPECIFICATIONS



<b>Max working height</b>	<b>22.6 m</b>
<b>Max horizontal outreach</b>	<b>12.7 m</b>
Max rated load	200 kg
<b>Weight</b>	
: Tare Weight	3260 kg*
: GTM	3400 kg
: ATM	3500 kg
Turret rotation	± 400°
Basket rotation	± 41°
Basket size	1.25 × 0.8 × 1.1 m
Max stabiliser force	14 kN
Max stabiliser pressure (std foot pad)	165 kN/m <sup>2</sup> *
Traffic load (live load) travelling	
Traffic load (live load) stabilised	
Max slope for stabilisers (no extra pads)	
Gradeability sideways	8°
Standard engine	Honda
Dual power options	Batteries
Brakes	Overrun
Self-propulsion with hydraulic engagement of traction rollers	Std

(All specs E&OE and subject to change)

\*3330 kg with spare wheel and stabiliser pads  
 \*90 kN/m<sup>2</sup> with 400 × 400mm stabiliser pads





MONITOR 2300EX - TRAILER MOUNTED LIFTS



# GET IN TOUCH

You may contact us at [monitor.net.au](http://monitor.net.au), or call us at 1800 025 024.



MONITOR 2300EX - TRAILER MOUNTED LIFTS

