

ATN ZEBRA 12



Designed with a real focus on low cost of ownership through high build quality and low maintenance requirements, the Zebra-12 Boom Lift from ATN delivers on this promise. Not only that, but its performance is remarkable too!

Horizontal outreach is an astounding 8.6 m, and combined with its oscillating axle the Z-12 provides features generally not found in other machines in this class.

All of the Z-12's elevation movements can be performed at the same time or independently. Thanks to its high-performance transmission, major ground clearance and the powerful Kubota diesel engine, the Z-12 operates easily on hard to negotiate terrain.

An on-board LCD diagnostic console provides ease of trouble shooting and checking specifications. Maintenance is made easier thanks to the swing-out engine bay, leaving a comfortable amount of room for all service operations.

Above left: The Z-12 is right at home on the toughest construction sites.

Above right: That's 8.6 m of outreach! Unbeatable performance from this compact 12 m Boom Lift.

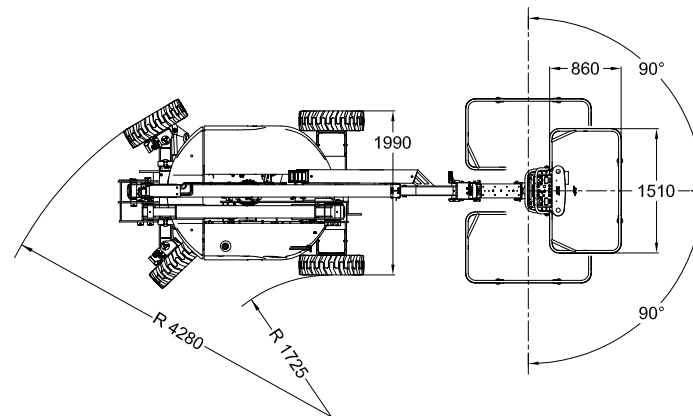
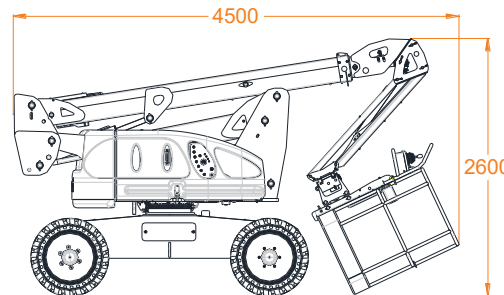
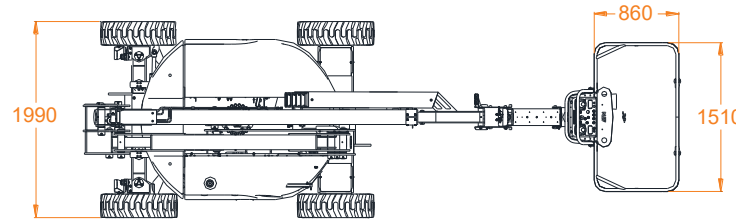
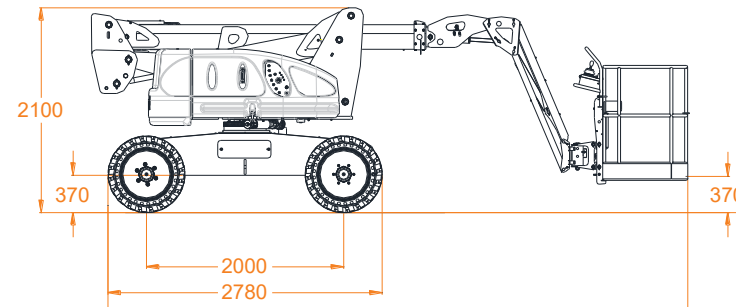
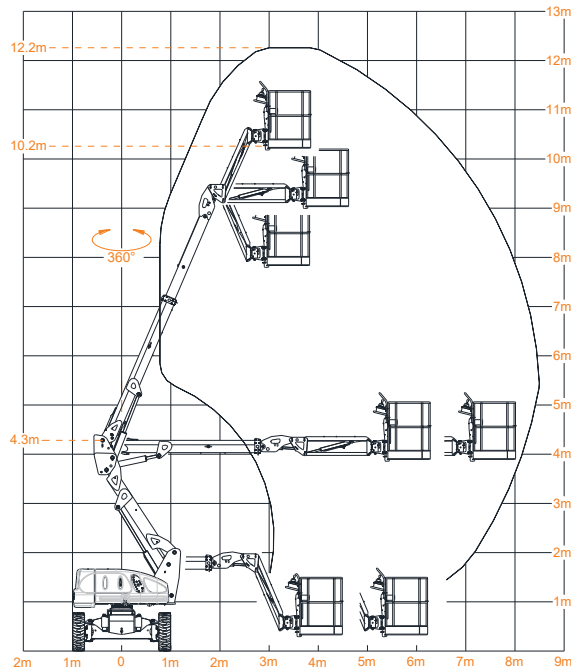
Right: Flexibility is provided by the smooth functions of basket rotation and hydraulic fly-jib.



ATN ZEBRA 12

Max working height	12.20 m
Max working height in narrow set	N/A
Max horizontal outreach	8.60 m
Max SWL	230 kg
Weight	5250 kg
Turret rotation	356 °
Basket rotation	180 °
Ground pressure driving (approx)	1275 kN/m ²
Max stabiliser force	N/A
Max stabiliser pressure (std foot pad)	N/A
Traffic load (live load) travelling (stowed)	kN/m ²
Traffic load (live load) stabilised wide	N/A
Traffic load (live load) stabilised narrow	N/A
Auto levelling	N/A
Max permissible tilt	4 °
Max slope for stabilisers (no extra pads)	N/A
Gradeability lengthwise	21 °
Gradeability sideways	21 °
Standard power source	Kubota 26 Hp Diesel
Optional power source	N/A
Dual power options	N/A
Expanding tracks	N/A
Drive Speed	6 km/h
Radio control	N/A
Electric emergency lowering	Optional

(All specs E&OE and subject to change)



SEE THE Z12
IN ACTION

