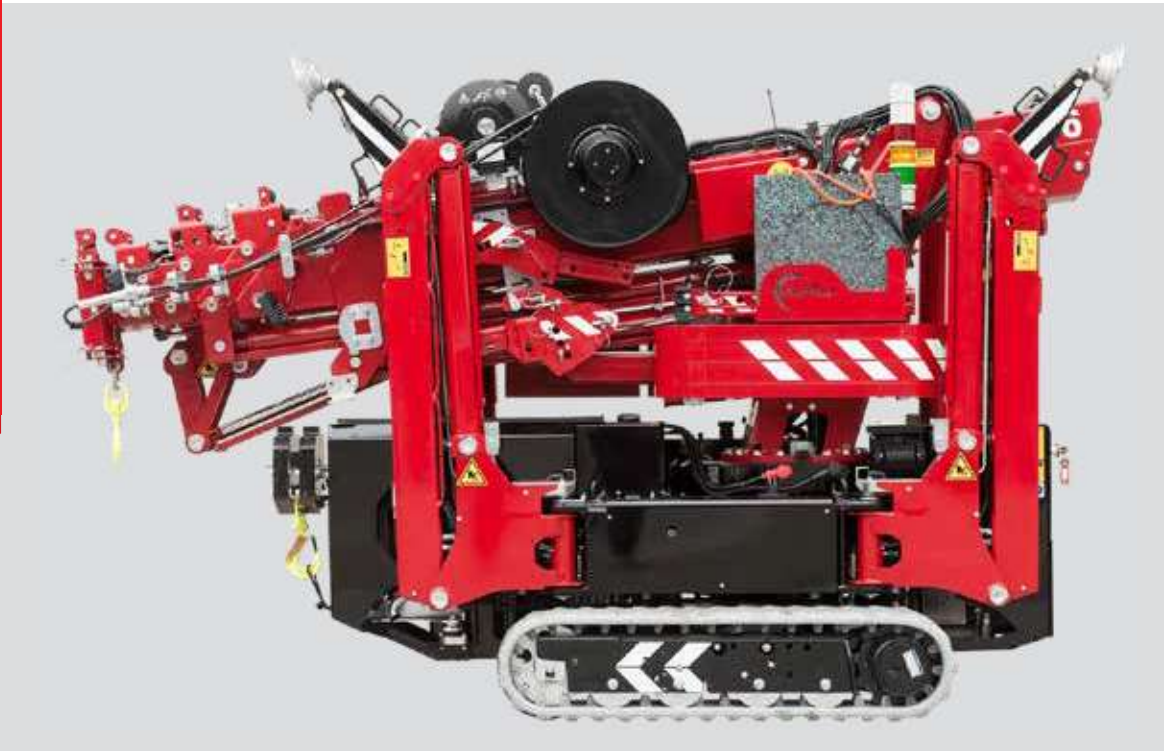


HOEFLON C6 POWERFUL ALL-ROUNDER



Multifunctional, robust and very simple operation – that's the C6 compact crane in a nutshell. It's a best seller in the minicrane category. This crane is ideal for placing glass and accurately positioning steel beams.

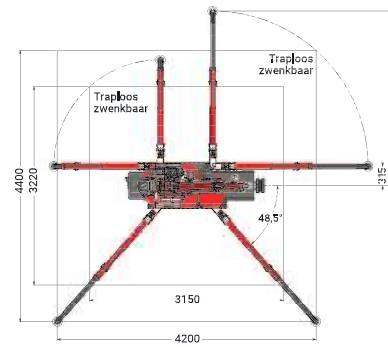
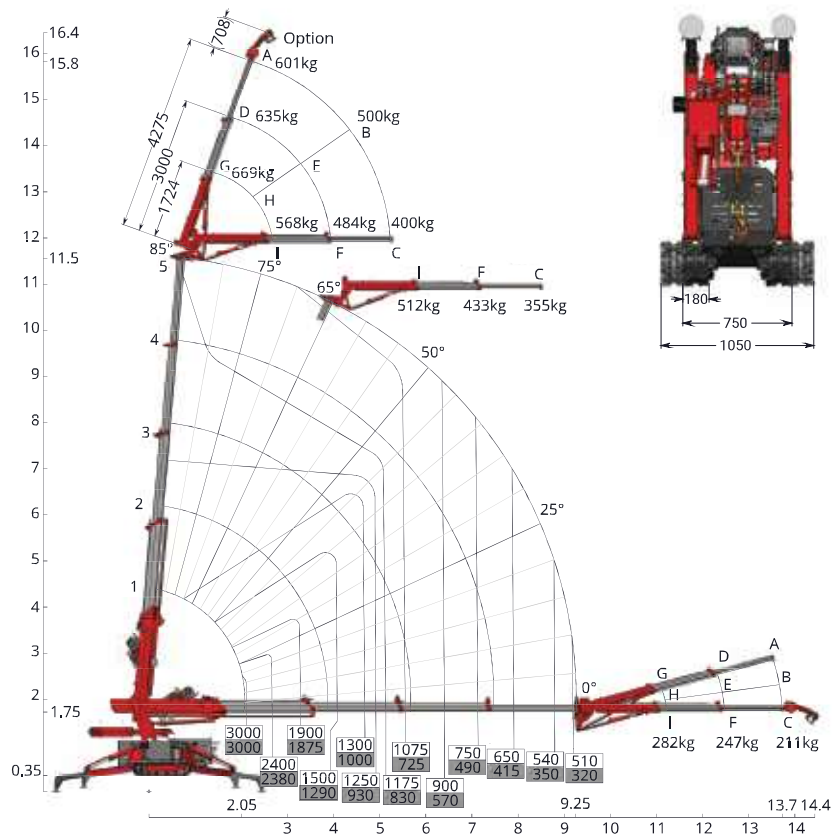
It is the only compact crane that can lift more than its own weight. This makes it possible for one crane to lower another into an underground space!



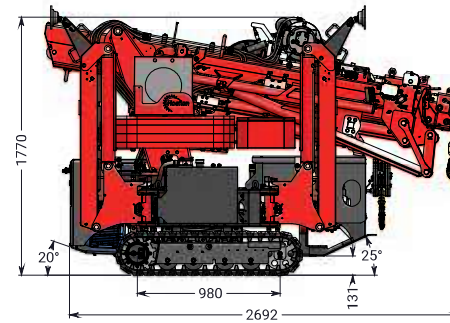
C6 KEY FEATURES

- An easy to use, wireless remote controlled machine
- Transport with a trailer under 3.500 kg
- Electric motor 240 V
- Very low machine weight with high hoisting capacity
- The machine can be operational at 16 metres within three minutes
- A best-seller!

HOEFLON C6



Standard



Standard configuration

| | |
|-----------------------------------|--|
| Capacity | 3,000 kg |
| Boom outreach | 9.25 m, and 13.7 m with options |
| Hoisting height max. without jib | 11.5 m, and 17 m with options |
| Transport dimensions LxWxH | 2.9 m x 0.75 m x 1.82 m |
| Total weight | 2,650 kg, and 2,850 kg with options |
| Boom angle | -5° to 83° |
| Boom system | cylinder and chain system |
| Slewing angle | 360° |
| Driving speed | 1st gear: 1.1 km/h 2nd gear: 2.2 km/h |
| Engine | Yanmar 3-cylinder diesel |
| Inclination angle, driving | 20° |
| Max stabiliser force | 27.5 kN |
| Ground pressure, driving (approx) | 77.5 kN/m ² |
| Extendible, removable ballast | 600 kg |
| Noise | 75 dB |

Accessories/Options

| | |
|------------------------------------|--|
| Dimensions including winch and jib | 3.14 m x 0.75 m x 1.95 m |
| Fly jib 1 | 4.3 m |
| Winch 2 | 1,000 kg, 2,000 kg and 3,000 kg |
| Hoisting speed with winch | 20.8 m/min |
| Winch cable | 40 m long |
| Extension section 3 | 30° adjustable |
| Electric motor | 240 V single phase |
| Outriggers | position measuring system for steplessly swivelling outriggers |
| Outriggers 4 | bend |
| Outriggers | hydraulically extending stepless |
| Slewing | continuous |
| Tracks 5 | non-marking |
| Crawler | pick and carry |
| Lighting | work light on boom and jib |
| Storage box 6 | extra storage box |
| Speed controller | 900 to 1,700 rpm |

(All specs E&OE and subject to change)

