



Self-Propelled Telescopic Booms

S-60/S-65

- Designed for easy delivery and fast set-up.



The Genie S-60 and S-65 are the value leaders

Genie's newly redesigned S-60/S-65 incorporates a unique virtual pivot boom design and state of the art features. Choose the Genie S-60 boom, with 20.3 m (66 feet 2 inches) of working height, or the S-65, with an additional 1.52 m (5 ft) articulating jib boom. Customise your boom from many option packages.



S-65 Out-and-Up Articulating Jib Boom

This special option gives you an additional 1.52 m (5 ft) of horizontal reach for a total of 16.8 m (55 ft 3 in). The S-65 jib boom gives you flexibility too – 135° of working range. You not only access 75° above horizontal, but you can get to 60° below horizontal.



Standard Features

Proportional Controls

Allow smooth operation and easy positioning.

160° Hydraulic Platform Rotator

Gives you precise placement without repositioning the boom.

Easily Accessible Components

The swing-out engine tray and easy-to-understand electrical system simplify routine maintenance.

Positive Traction Drive

Full-time positive traction system standard on 4x4 models and on 4x2 models.

Drive Enable System

Informs operator when the drive and steer functions will move opposite the controller movements.

Low-Profile Chassis Covers

Provide high visibility for the operator while unit is in stowed position.

Platform Controls

Large, simple-to-use controls for easy operation.

Transportability

The S-60 and S-65 are designed to load and unload easily from transport vehicles.

Increased Lift Speed

The capability to operate multiple functions simultaneously results in maximum lift speed. The S-60 elevates from the ground to full height in just 57 seconds.

Stiffer Mast Design

The new flat-bottom mast design is 7% stiffer when fully extended. The stiffer mast results in less platform movement for more comfortable operation.



in the industry.

Easily customised to meet your needs:

Engine Options – Tier II Emission Compliant

- GM 3.0L Dual Fuel
59 kw (80 hp)
- Deutz Diesel F3L 2011F
36 kw (49 hp)
- Perkins Diesel 404-22
37 kw (50 hp)

Platform Options

- Standard: Steel 1.83 m (6 ft)
- Optional: Steel 2.44 m (8 ft)

Drive Options

- 4x2 – two wheel drive
 - gradeability up to 30%
- 4x4 – four wheel drive
 - gradeability up to 50%
 - gradeability is theoretical, traction-dependent

Terrain Tracking Active Oscillation System

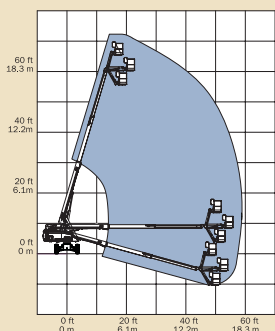
This revolutionary system automatically senses the terrain and adjusts the front axle oscillation based on ground conditions. The system maximises four point contact with the ground for improved traction and an amazingly smooth ride.



Standard Features

- S-60 has 20.3 m (66 ft) working height
- S-65 has 21.9 m (71 ft) working height
- S-60 has 15.3 m (50 ft 4 in) horizontal reach
- S-65 has 16.8 m (55 ft 3 in) horizontal reach
- Up to 227 kg (500 lb) lift capacity
- Full-time active oscillating axle
- Tier II emission capable engine
- Dual fuel (Gas/LPG) or diesel engine options
- Hall effect joystick controllers
- Fully proportional joystick controls with ramp up/down feature
- Hydraulic platform rotation
- 360° continuous turntable rotation
- 12V DC auxiliary power
- Fuel select switch on platform and ground control panels (Gas/LPG models)
- Closed-loop hydrostatic drive
- Positive traction drive
- Drive enable system
- Self-levelling platform
- Locking turntable covers
- Anti-restart engine protection
- Foot switch time out
- Auto engine fault shutdown
- AC wiring to platform
- Wire braided hose
- Tilt alarm
- Horn
- Hour meter

Range of Motion



Specifications

| Model | S-60 Metric | US | S-65 Metric | US |
|--|---|------------|-----------------|------------|
| Working height max * | 20.3 m | 66 ft 2 in | 21.9 m | 71 ft 4 in |
| Platform height max | 18.3 m | 60 ft 2 in | 19.9 m | 65 ft 4 in |
| Ⓐ Height - stowed | 2.69 m | 8 ft 10 in | 2.69 m | 8 ft 10 in |
| Ⓑ Length - stowed | 8.33 m | 27 ft 4 in | 9.45 m | 31 ft |
| Ⓒ Width | 2.49 m | 8 ft 2 in | 2.49 m | 8 ft 2 in |
| Ⓓ Wheelbase | 2.74 m | 9 ft | 2.74 m | 9 ft |
| Ⓔ Ground clearance | 30 cm | 12 in | 30 cm | 12 in |
| Ⓕ Platform length: 1.83 m | 76 cm | 30 in | 76 cm | 30 in |
| 2.44 m | 91 cm | 36 in | 91 cm | 36 in |
| Ⓖ Platform width: 1.83 m | 1.83 m | 72 in | 1.83 m | 72 in |
| 2.44 m | 2.44 m | 96 in | 2.44 m | 96 in |
| Horizontal reach max | 15.3 m | 50 ft 4 in | 16.8 m | 55 ft 3 in |
| Maximum lift capacity 1.8 m platform | 227 kg | 500 lb | 227 kg | 500 lb |
| Maximum lift capacity 2.44 m platform | 227 kg | 500 lb | 227 kg | 500 lb |
| Turning radius - outside | 5.66 m | 18 ft 7 in | 5.66 m | 18 ft 7 in |
| Turning radius - inside | 2.39 m | 7 ft 10 in | 2.39 m | 7 ft 10 in |
| Turntable rotation | 360° continuous | | 360° continuous | |
| Turntable tailswing | 1.19 m | 3 ft 11 in | 1.19 m | 3 ft 11 in |
| Power source | GM 3.0L 59 kw (80 hp), Duel Fuel Deutz Diesel F3L 2011F 36 kw (49 hp) Perkins Diesel 404-22 37 kw (50 hp) | | | |
| Controls | ALC 500 | | ALC 500 | |
| Platform rotation | 160° | | 160° | |
| Tyres | 15 - 19.5 NHS | | 15 - 19.5 NHS | |
| Hydraulic tank capacity | 170.3 litre | 45 gal | 170.3 litre | 45 gal |
| Fuel tank capacity | 151.4 litre | 40 gal | 151.4 litre | 40 gal |
| Weight** | 9,662 kg | 21,301 lb | 10,349 kg | 22,815 lb |
| Drive speed - stowed 2WD | 7.1 km/h | 4.4 mph | 7.2 km/h | 4.5 mph |
| Drive speed - stowed 4WD | 6.0 km/h | 3.7 mph | 5.6 km/h | 3.5 mph |
| Drive speed - extended (all models) | 1.0 km/h | 0.6 mph | 1.0 km/h | 0.6 mph |
| Gradeability*** - stowed | 2WD 30% | | 30% | |
| | 4WD 45% | | 45% | |

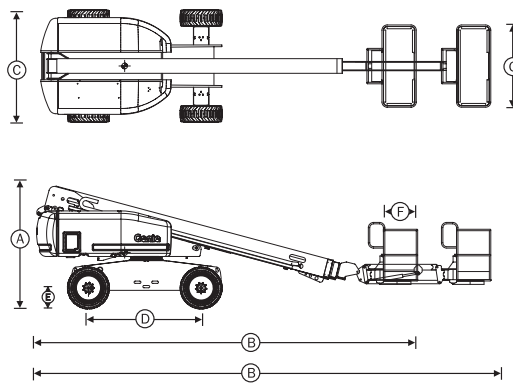
* The metric equivalent of working height adds 2 m to platform height. U.S. adds 6 ft to platform height.
 ** Weight will vary depending on options and/or country standards.
 *** (Gradeability is theoretical, traction-dependent)

Options and Accessories

- Alarm package
- Cold start packages
- 2700 or 5000 watt AC generator
- 2.44 m (8 ft) steel platform
- 340 kg (750 lb) lift capacity option on the S-60
- Platform swing gate
- Air line to platform
- Platform rail pinch guard
- Platform work lights
- Lockable platform control box cover
- Second 12V battery
- Tool tray
- Fluorescent tube caddy
- Hostile environment packages
- Hydraulic oil cooler
- LPG tank
- GS/LPS rating for GM engine powered machines
- Driving lights
- Weld cables
- Diesel scrubber

Standards Compliance

- ANSI/SIA A92.5
- CE compliance option
- CSA CAN3-B354.4-M82
- AS 1418.10



Distributed By:

Genie Industries

GENIE AUSTRALIA

591 Boundary Road, Darra Qld 4076
 PO Box 394, Richlands Qld 4077
 Telephone **07 3375 1660**
 Fax 07 3375 1002
<http://www.genieindustries.com>

GENIE UNITED STATES

18340 NE 76th Street
 P. O. Box 97030
 Redmond, Washington 98073-9730
 Telephone **(425) 881-1800**
 Toll Free in USA/Canada **800-536-1800**
 Fax (425) 883-3475
<http://www.genieindustries.com>