

PB1575



The 1575 is an extremely compact Spider Lift for the most difficult applications. The track system expands out for extra stability and stands taller for extra ground clearance.

When retracted, it reduces to only 780 mm wide and lowers the machine to 1909 mm height for very narrow access.

The basket quickly and simply detaches with only one pin for accessing very tight locations. The basket can then easily be rolled along by one person on its own castor wheels.

Uniquely, the dog-leg shaped stabilizers provide a huge amount of travel for setting up on very uneven terrain. And with dual power sources, the 1575 is just as at home indoors or outdoors!

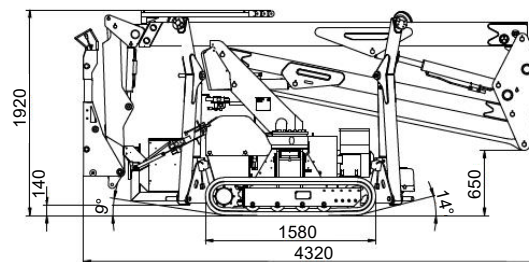
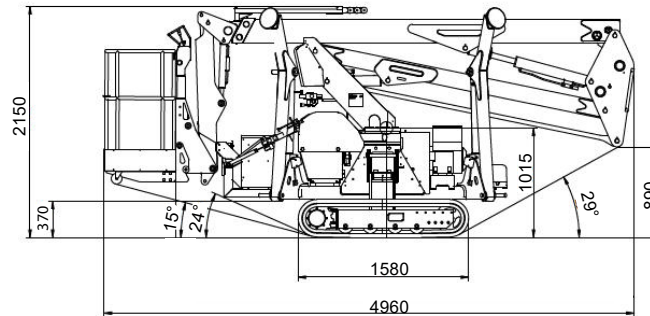
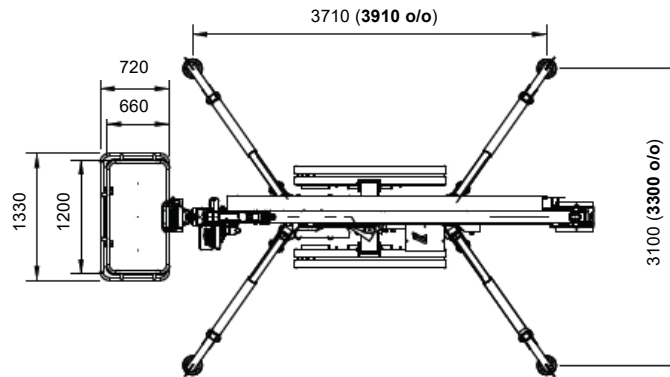
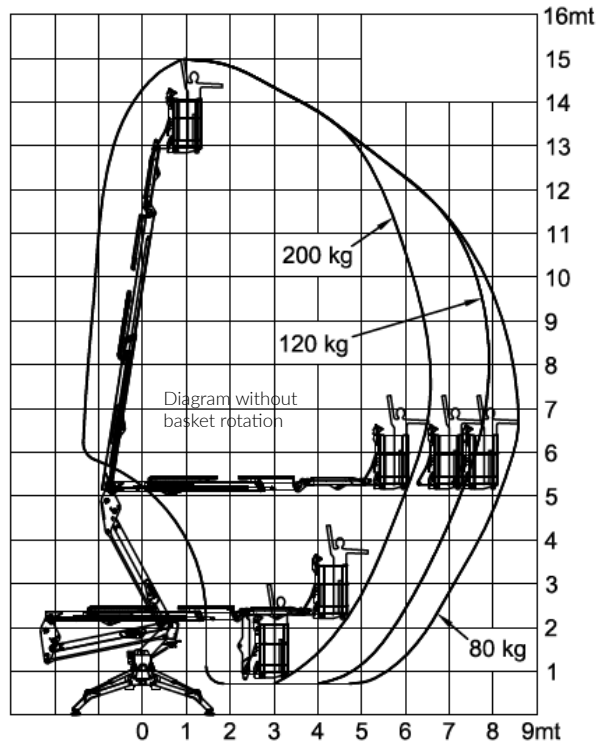
Far Left: Spider Lift country! Narrow paths and difficult slopes.

Above middle: Low ground pressure allows operation on delicate surfaces

Above right: Narrow access is no problem

Opposite Page: Easy to tow with a total package weight of approx. 2.5 t. (Options of steel or alloy trailers.)

PB1575



	STD	PRO
Max working height	15.00 m	15.00 m
Max horizontal outreach	8.50 m	8.50 m
Max rated capacity	200 kg	200 kg
Weight: Engine + 240v	2060 kg	2140 kg
: Engine + Batteries	2220 kg	2300 kg
Turret rotation	360°	360°
Basket rotation	Optional	140°
Ground pressure driving (approx)	38.5 kN/m ²	38.5 kN/m ²
Max stabiliser force	14.1 kN	14.1 kN
Max stabiliser pressure (std foot pad)	446 kN/m ²	446 kN/m ²
Traffic load (live load) travelling	3.1 kN/m ²	3.1 kN/m ²
Traffic load (live load) stabilised	1.9 kN/m ²	1.9 kN/m ²
Auto levelling	N/A	Std
Max slope for stabilisers (no extra pads)	15°	15°
Gradeability lengthwise	24°	24°
Gradeability sideways	15°	15°
Standard engine	Honda 13 Hp Petrol	Kubota 14 Hp Diesel
Optional engine	Kubota 14 Hp Diesel	N/A
Dual power options	240V or Batteries or Lithium	240V or Batteries or Lithium
Expanding tracks	Std	Std
Max drive speed	1.5 km/h	2.5 km/h
Radio control	N/A	Std
Electric emergency lowering	Optional	Optional

(All specs E&OE and subject to change)

