

PB1380



This Spider Lift's light weight and amazingly compact stowed dimensions allows it to be used in the most difficult locations.



The light-weight basket is simple to remove in less than one minute, allowing very narrow access and reducing the stowed length to only 3.64 m.

The 1380 Spider Lift is a simple, strong machine, ideally suited to commercial contractors such as painters, electricians and shed builders.

The large fly-jib is designed for maximum travel and flexibility. The drive controls can be operated via a remote control for ease of manoeuvrability.

Expandable tracks provide stability on uneven terrain, and narrow access ability when retracted.



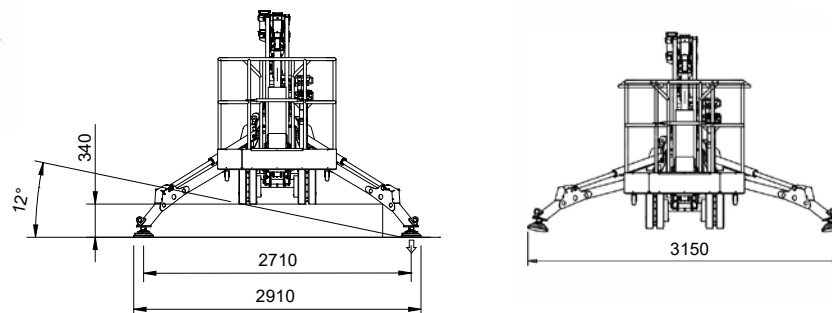
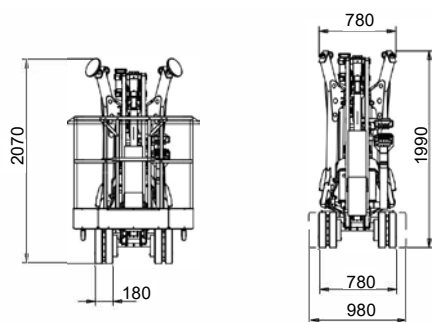
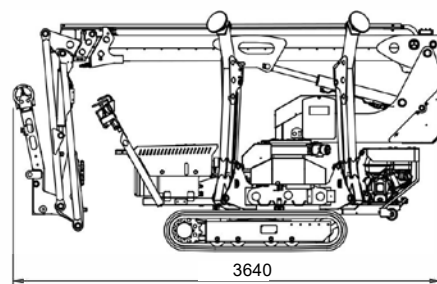
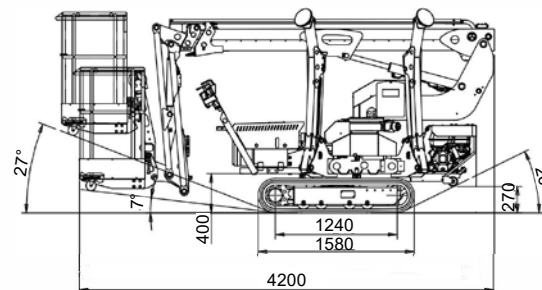
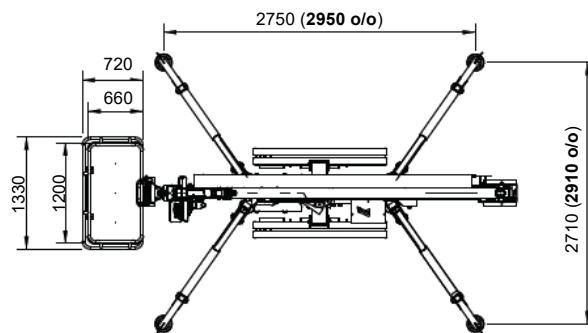
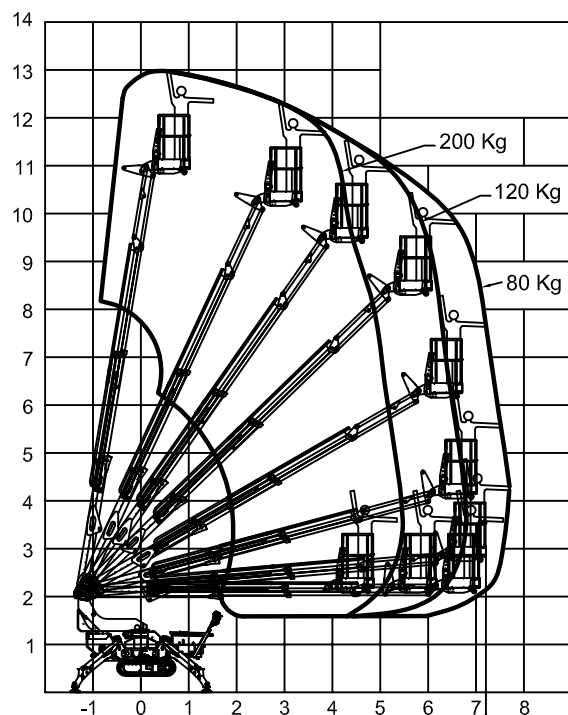
Far left: The zero tail-swing design is ideally suited for use in confined areas

Above middle: This compact Spider Lift is ideal for accessing tight locations.

Above right: The flexibility of the long-travel stabilisers allow set-up in almost any space.

Opposite Page: This trailer package weighs in at approx. 2 t so can be towed without the need for electric brake controllers.

PB1380



Max working height	12.99 m
Max horizontal outreach	7.70 m
Max rated capacity	200 kg
Weight: Engine + 240v	EP 1800 kg
: Engine + Batteries	BP 1842 kg
Turret rotation	360°
Basket rotation	N/A
Ground pressure driving (approx)	37.8 kN/m ²
Max stabiliser force	11.81 kN
Max stabiliser pressure (std foot pad)	375 kN/m ²
Traffic load (live load) travelling	3.1 kN/m ²
Traffic load (live load) stabilised	2.3 kN/m ²
Auto levelling	N/A
Max slope for stabilisers (no extra pads)	12°
Gradeability lengthwise	15°
Gradeability sideways	12°
Standard engine	Honda 13 Hp Petrol
Optional engine	Hatz 7 Hp Diesel
Dual power options	240V or Batteries or Lithium
Expanding tracks	Std
Max drive speed	2.4 km/h
Drive control	Wired remote
Electric emergency lowering	Optional

(All specs E&OE and subject to change)

