

# PB1275



**Released in 2020, the 1275 Spider Lift is a similar machine to Monitor Lifts' 1380. However, the 1275 has all the bells and whistles, which makes this machine the ideal Mini Spider Lift.**

With the most remarkable compact dimensions, the 1275 can navigate its way through tight and confined spaces comfortably.

The standard radio remote control allows the operator to move around the machine and check the movements of the unit from every angle, at a comfortable distance.

To allow the operator to efficiently move the machine into position and set up quickly, the 1275 has a two speed drive

& auto leveling outriggers. Its increased 230kg platform capacity provides sufficient room for two people, plus tools to work comfortably from the platform.

Light in weight, the 1275 is very easily towed on a 2 t GVM (2.2 t ATM) trailer, making transportation a breeze!

A simple hydraulically expandable track design provides this machine with more stability when tackling rough terrain, and also the ability to access the most confined locations.

**Far left:** The 1275 loves tight spaces!

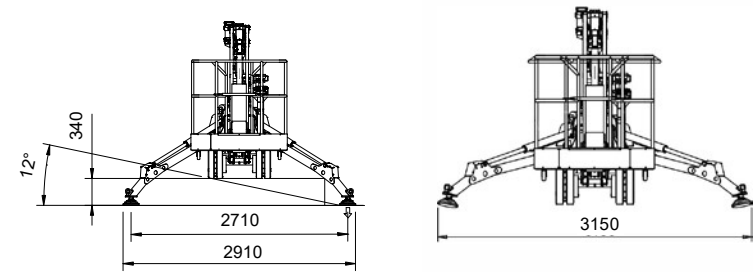
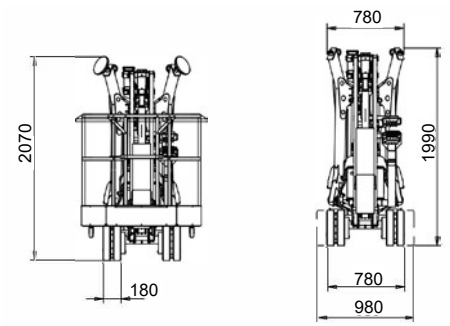
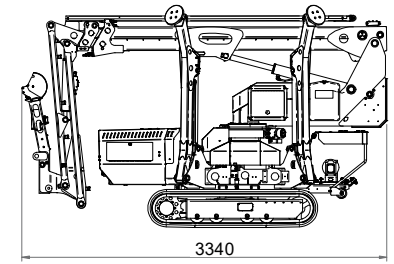
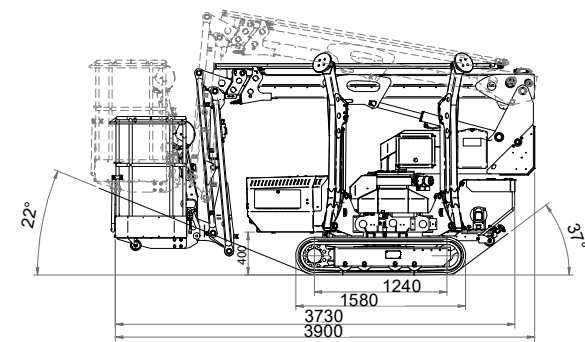
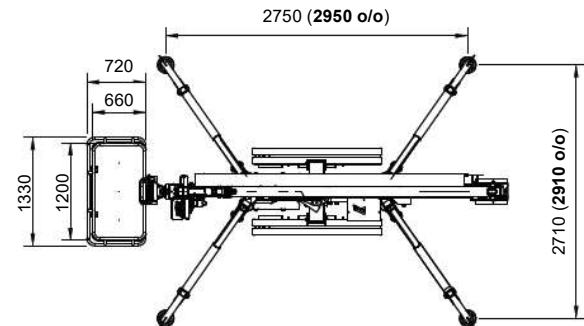
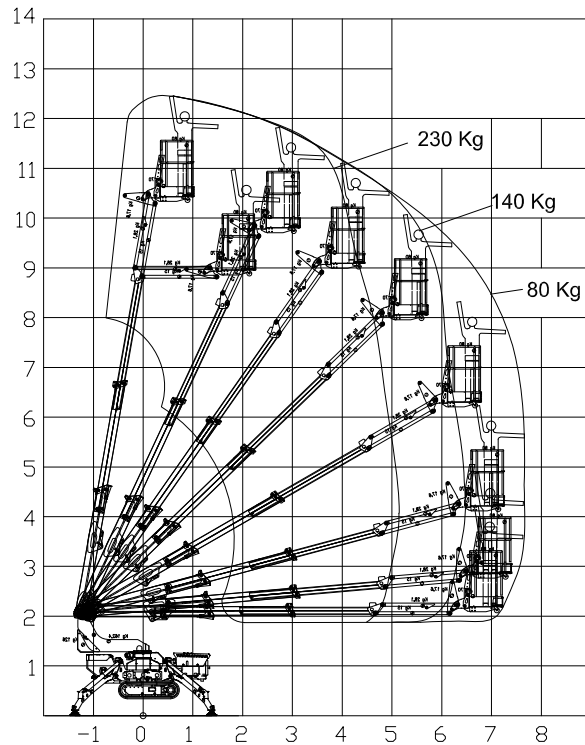
**Above middle:** Excellent stabiliser travel and compact setup footprint

**Above right:** Compact width for tight access!

**Below:** Radio remote control comes as standard allowing drive, outriggers, auto-level, boom raise, track expansion and more!



# PB1275



|   |                              |
|---|------------------------------|
| <b>Max working height</b>                 | <b>12.30 m</b>               |
| <b>Max horizontal outreach</b>            | <b>7.50 m</b>                |
| Max rated capacity                        | 230 kg                       |
| <b>Weight: Engine + 240V</b>              | <b>EP 1794 kg</b>            |
| : Engine + Batteries                      | BP 1834 kg                   |
| Turret rotation                           | 360°                         |
| Basket rotation                           | Optional                     |
| Ground pressure driving (approx)          | 37.8 kN/m2                   |
| Max stabiliser force                      | 11.81 kN                     |
| Max stabiliser pressure (std foot pad)    | 379.7 kN/m2                  |
| Traffic load (live load) travelling       | 3.5 kN/m2                    |
| Traffic load (live load) stabilised       | 2.3 kN/m2                    |
| Auto levelling                            | Std                          |
| Max slope for stabilisers (no extra pads) | 12°                          |
| Gradeability lengthwise                   | 15°                          |
| Gradeability sideways                     | 12°                          |
| Standard engine                           | Honda 13 Hp Petrol           |
| Optional engine                           | Hatz 7 Hp Diesel             |
| Dual power options                        | 240V or Batteries or Lithium |
| Expanding tracks                          | Std                          |
| Max drive speed                           | 2.4 km/h                     |
| Radio control                             | Std                          |
| Electric emergency lowering               | Optional                     |

(All specs E&OE and subject to change)

