

OMME2750RX



The 2750 RX offers exceptional up and over outreach capability. This feature is ideal for work in confined and congested areas. The increased capacity of 250kg also adds to its heavy-duty versatility. This Spider Lift is the first choice for tougher commercial applications.

At an incredibly narrow width of only 1.1 m, the 2750 RXBDJ is perfectly suited to indoor applications. And weighing only 5.3 t, the Omme is safe to use on load sensitive flooring.

Non-marking rubber tracks and a light footprint ensure there is no damage on good surfaces.

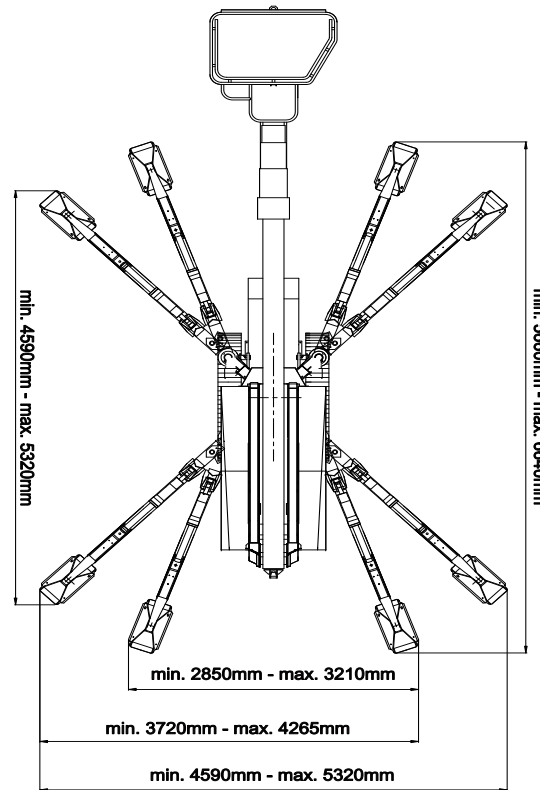
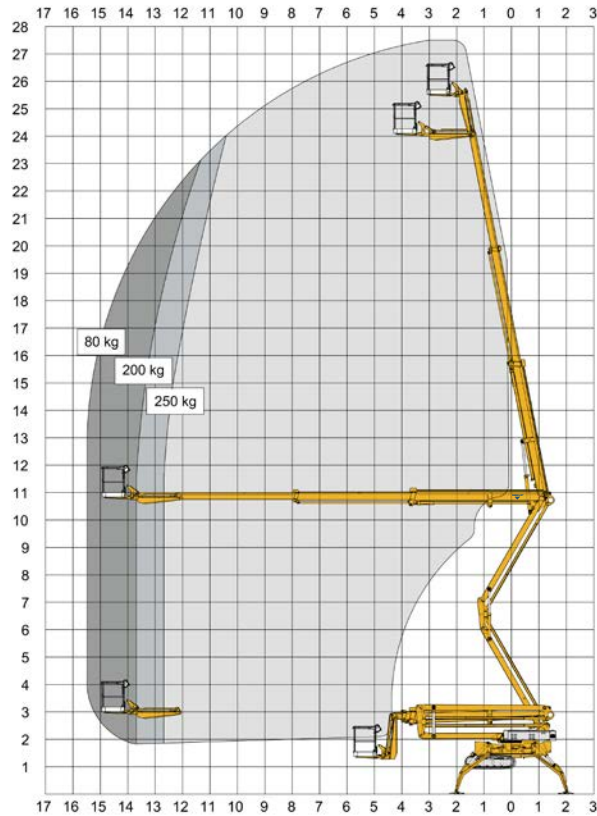
Battery power + compact dimensions + light weight + gentle non-marking rubber tracks = the perfect indoor boom-lift!

Far left: Up, over and out! For hard to reach jobs, the 2750 RX is the hands-down favourite.

Above middle: As with all Monitor Spider Lifts, lifting points and procedures are standard allowing these machines to be craned into difficult locations.

Above right: There's not too many places you can't get to with this amazing Spider Lift!

OMME2750RX



Max working height	27.50 m
Max working height in narrow set	26.50 m
Max horizontal outreach	15.50 m
Max rated capacity	250 kg
Weight: Expandable tracks	5315 kg
Turret rotation	710°
Basket rotation	100°
Ground pressure driving (approx)	78.5 kN/m ²
Max stabiliser force	32.6 kN
Max stabiliser pressure (std foot pad)	326 kN/m ²
Traffic load (live load) travelling	5.7 kN/m ²
Traffic load (live load) stabilised wide	2.84 kN/m ²
Traffic load (live load) stabilised narrow	4.0 kN/m ²
Auto levelling	Std
Max slope for stabilisers (no extra pads)	21.8°
Gradeability lengthwise	19.3°
Gradeability sideways	19.3°
Standard engine	Kubota 20 Hp Diesel
Dual power options	Batteries
Expanding tracks	Std
Max drive speed	2.6 km/h
Radio control	Std
Electric emergency lowering	Std

(All specs E&OE and subject to change)

