

# PB2714



**The 2714 Spider Lift never ceases to impress with its huge up-and-over outreach. At only 1.99 m stowed height, this Spider Lift delivers the most reach from the smallest dimensions.**

**An unbeatable machine for confined area access to taller heights.**

The tracks expand to 1290 mm for stability off-road, and retract to only 890 mm which allows the 2714 to go anywhere!

Uniquely these Spider Lifts can rotate a full 360 degrees even when legs are set in the narrow position, and up to 15 m of horizontal outreach can be achieved in wide set.

Strength and rigidity are a standout feature of this machine; the first time you take this one up off the ground you come back wearing a very wide smile. It has to be experienced to believe how stable this platform is, making it ideal for the most demanding of applications.

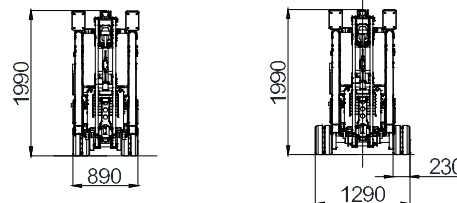
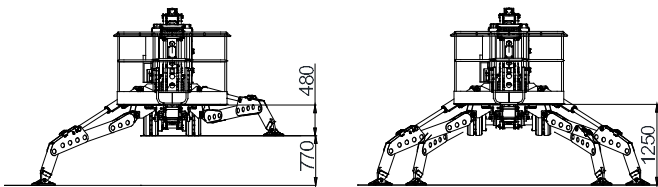
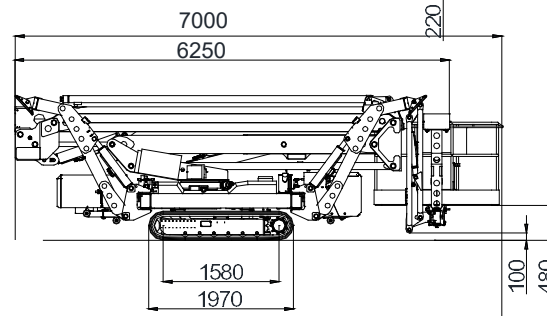
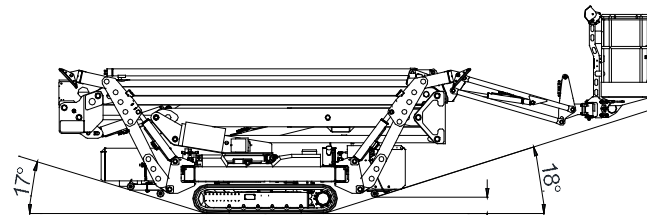
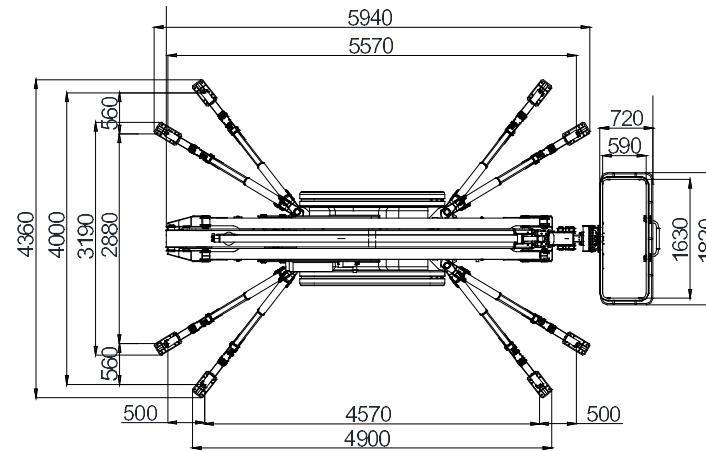
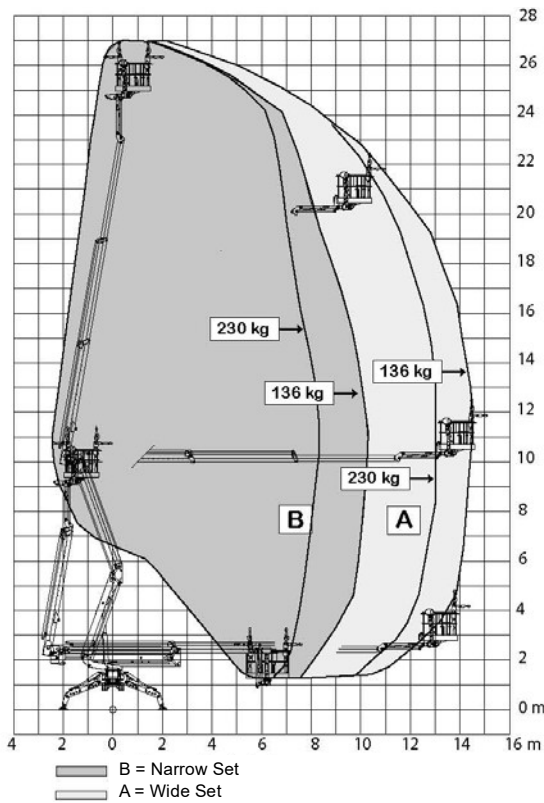
**Far left:** The 2714 Spider Lift provides huge reach from very compact dimensions.

**Above middle:** Safe operation on sloping ground.

**Above right:** Extremely compact dimensions even allows it to squeeze into some goods lifts.

**Opposite Page:** Purpose built plant trailer to suit the 2714 Spider Lift.

# PB2714



<b>Max working height</b>	<b>27.00 m</b>
Max working height in narrow set	27.00 m
<b>Max horizontal outreach</b>	<b>15.10 m</b>
Max rated capacity	230 kg
<b>Weight: Engine + 240V</b>	<b>ED 5200 kg</b>
: Engine + Lithium Batteries	LBD 5340 kg
Turret rotation	360°
Basket rotation	172°
Ground pressure driving (approx)	70.15 kN/m <sup>2</sup>
Max stabiliser force	34.4 kN
Max stabiliser pressure (std foot pad)	673 kN/m <sup>2</sup>
Traffic load (live load) travelling	5.42 kN/m <sup>2</sup>
Traffic load (live load) stabilised wide	2.84 kN/m <sup>2</sup>
Traffic load (live load) stabilised narrow	2.90 kN/m <sup>2</sup>
Auto levelling	Std
Max slope for stabilisers (no extra pads)	13°
Gradeability lengthwise	17°
Gradeability sideways	12°
Standard engine	Kubota 22 Hp Diesel
Dual power options	240V or Batteries or Lithium
Expanding tracks	Std
Max drive speed	1.8 km/h
Radio control	Std
Electric emergency lowering	Std
Hydraulic winch	Optional

(All specs E&OE and subject to change)

