

# LEGUAN125



**The Leguan 125 is the original Spider Lift that has been on the Australian market for over 25 years.**

Full time four wheel drive makes driving easy even in difficult conditions and on uneven terrain, while still providing a machine light enough to tow behind almost any vehicle.



With the Leguan you can also work indoors and in similar tight situations – these features make the Leguan more versatile than most other lifts.

The Leguan combines the advantages of articulating and telescopic boom design, providing excellent up-and-over capabilities.

All functions, including drive, outrigger set up and boom movements can be operated from the platform, allowing the operator to remain harnessed, even while transitioning the machine.

Proven in many industries and tough environments throughout Australia and New Zealand, no other machine on the market has a proven track record like the Leguan.



**Far left:** Leguan 125 has full time 4WD and simple hydraulic controls for all functions.

**Above middle:** The Leguan 125 is also available in a tracked version.

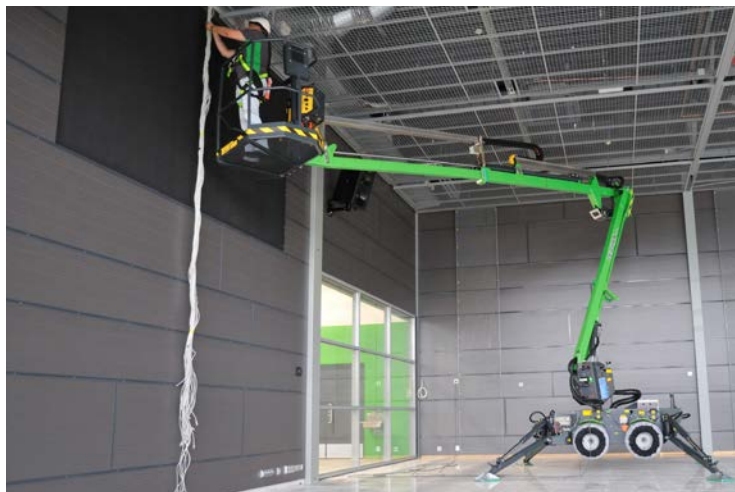
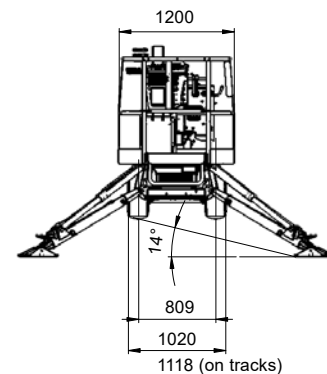
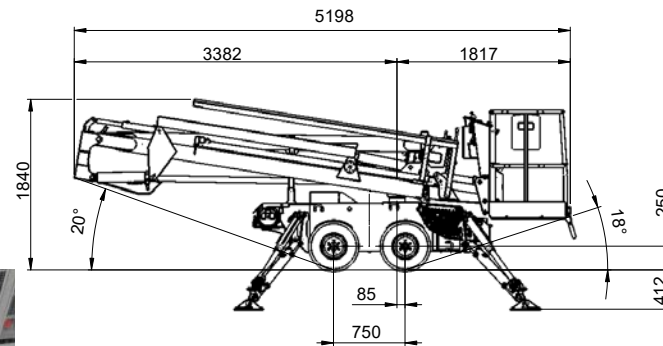
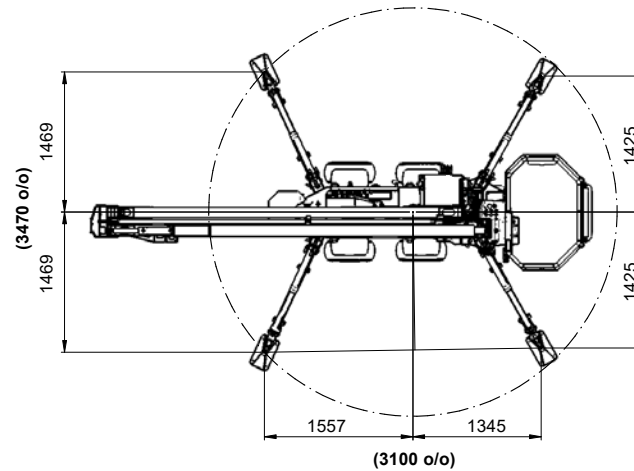
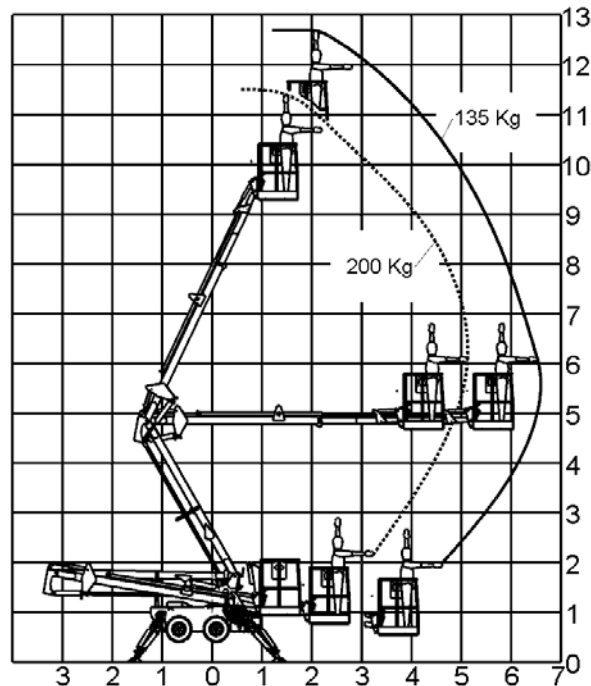
**Above right:** With a large amount of travel in the stabiliser legs, levelling the Leguan 125 is simple and effective.

**Opposite Page:** total package weight of under 2 t makes for easy towing

# LEGUAN125

<b>Max working height</b>	<b>12.50 m</b>
<b>Max horizontal outreach</b>	<b>6.30 m</b>
Max rated capacity	200 kg
<b>Weight</b>	<b>23" tyres 1568 kg (tracks 1672 kg)</b>
Turret rotation	360°
Basket rotation	N/A
Ground pressure driving (approx)	tyres 306kN/m <sup>2</sup> (tracks 53 kN/m <sup>2</sup> )
Max stabiliser force	9 kN
Max stabiliser pressure (std foot pad)	153 kN/m <sup>2</sup>
Traffic load (live load) travelling	tyres 3.2 kN/m <sup>2</sup> (tracks 3.3 kN/m <sup>2</sup> )
Traffic load (live load) stabilised	tyres 2 kN/m <sup>2</sup> (tracks 2.2kN/m <sup>2</sup> )
Auto levelling	N/A
Max slope for stabilisers (no extra pads)	14°
Gradeability lengthwise	20°
Gradeability sideways	13°
Standard engine	Honda 13 Hp Petrol
Optional engine	Kubota 9 Hp Diesel
Dual power options	240V
Max drive speed	4 km/h
Radio control	Optional

(All specs E&OE and subject to change)



Above: Strong steel booms & basket = strength and stability!